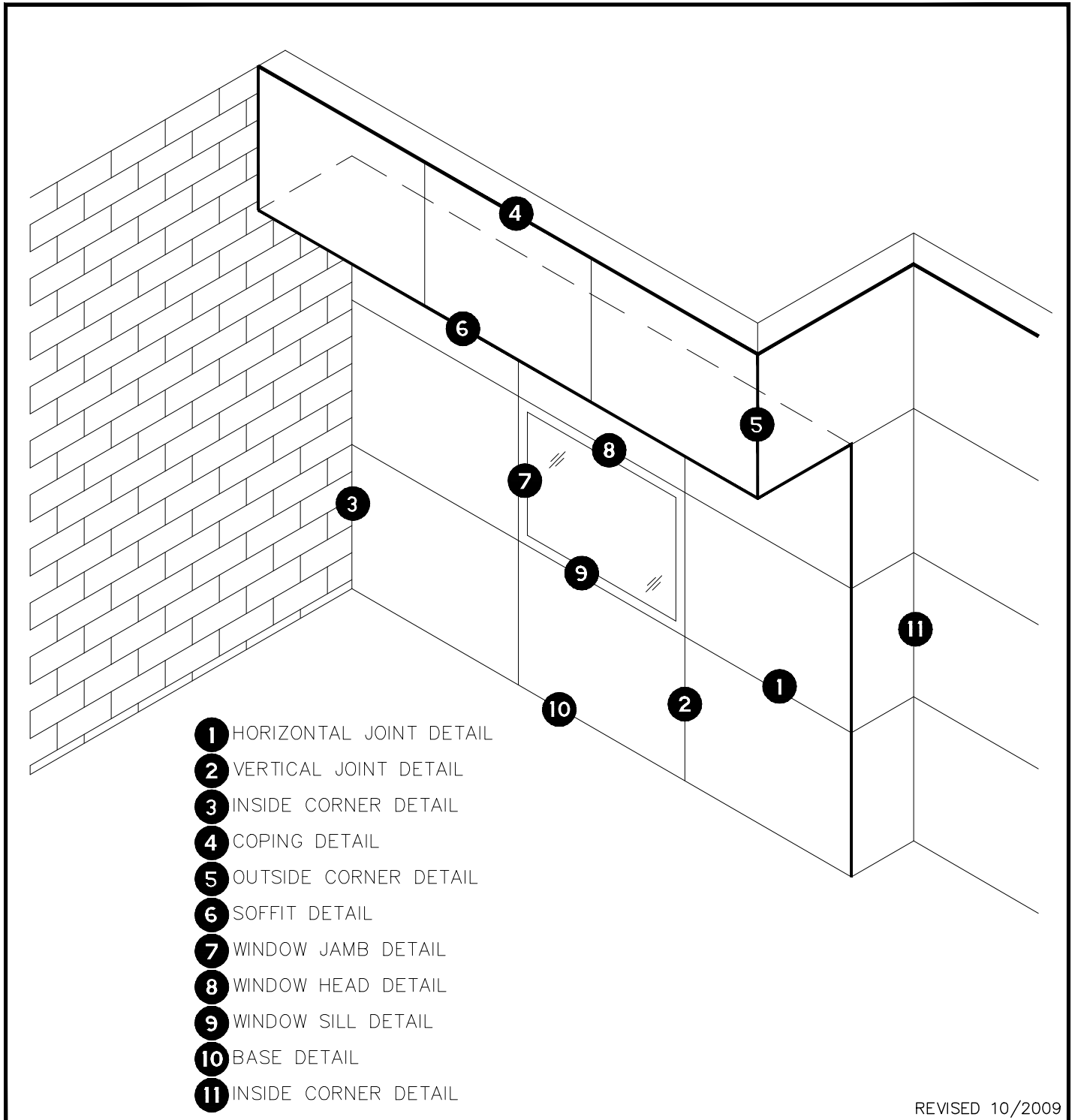
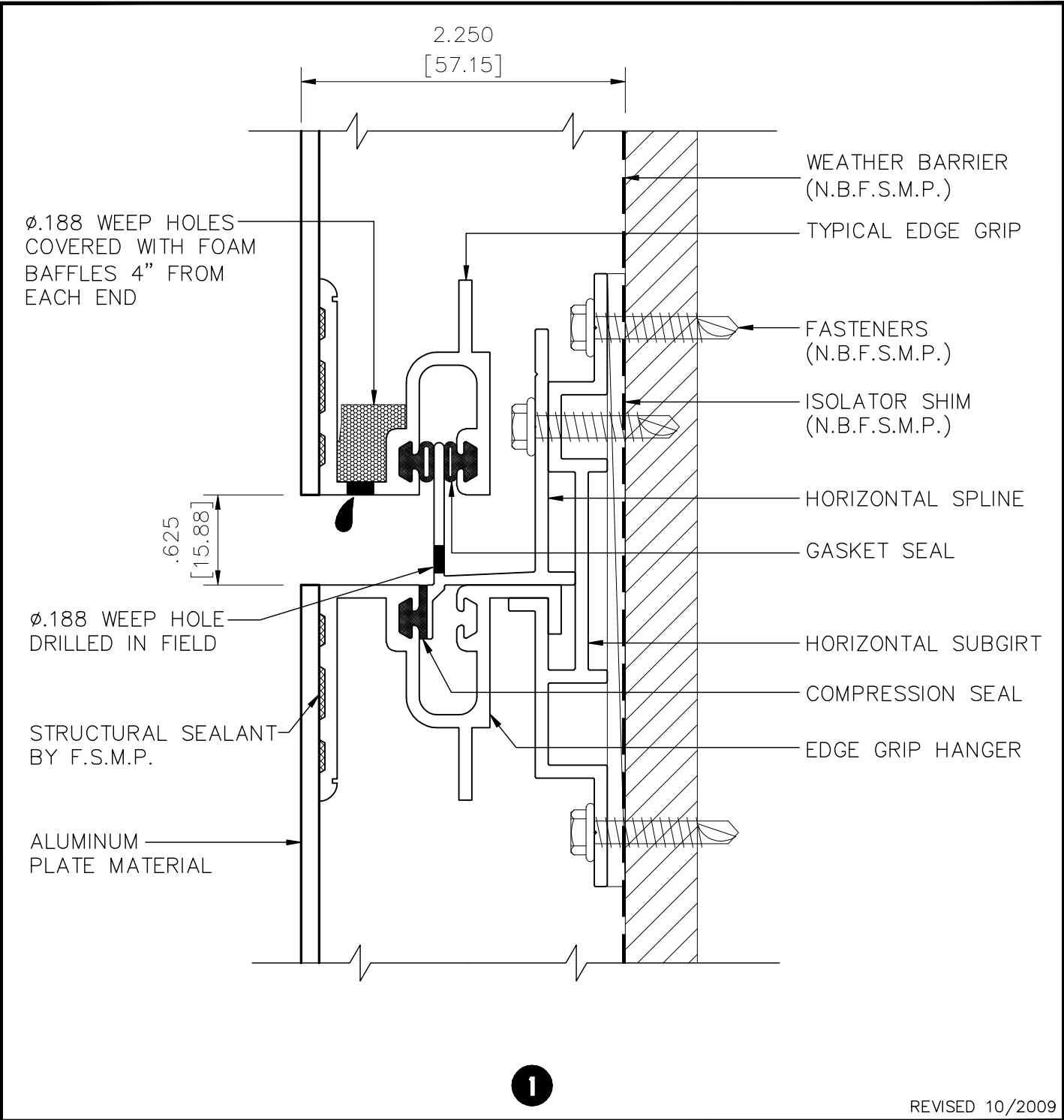


**SERIES 2500 UNA-CLAD PANEL INDEX**

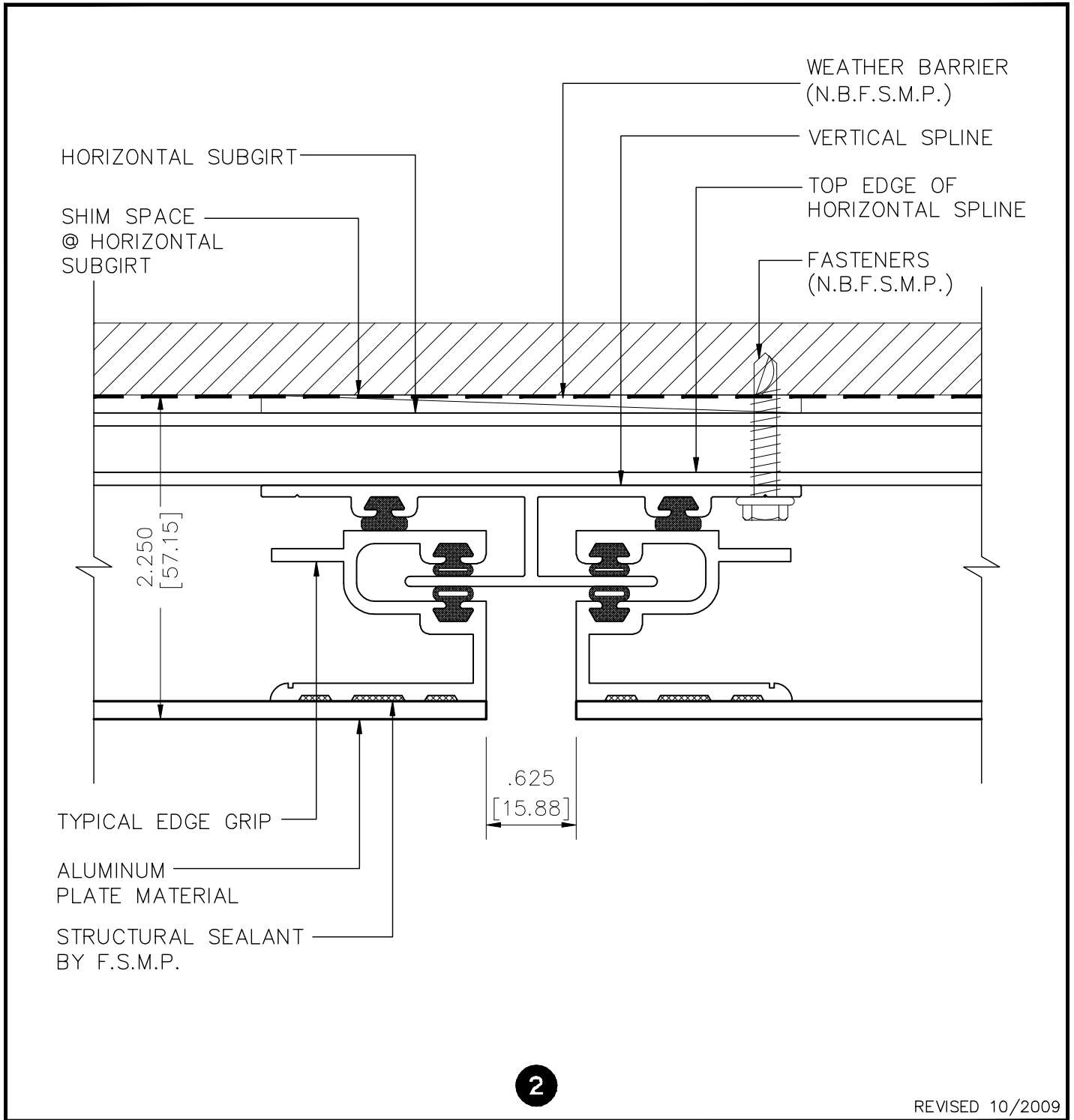
**S2500-00**



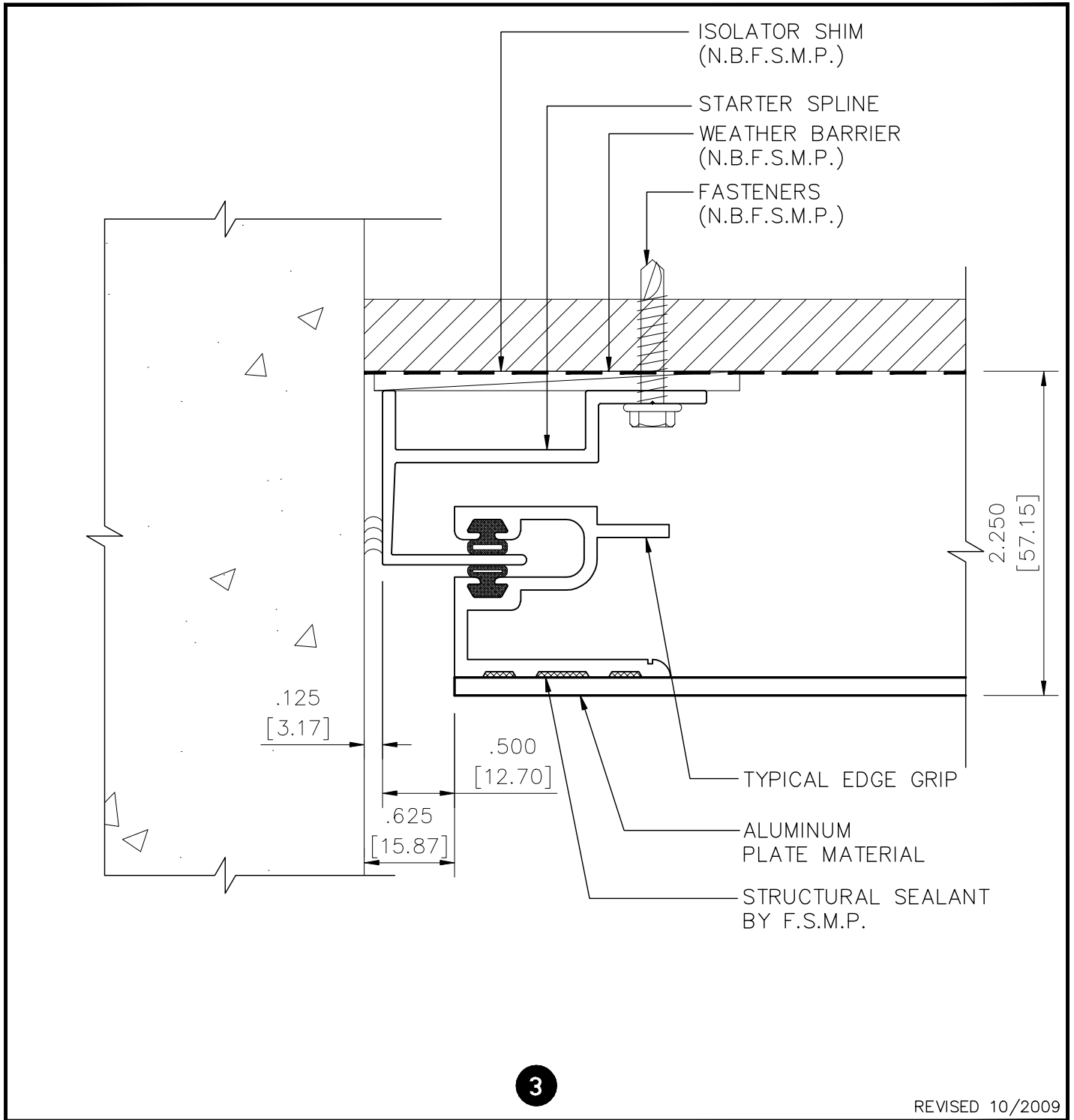
**SERIES 2500 - HORIZONTAL JOINT DETAIL S2500-01**



**SERIES 2500 - VERTICAL JOINT DETAIL S2500-02**

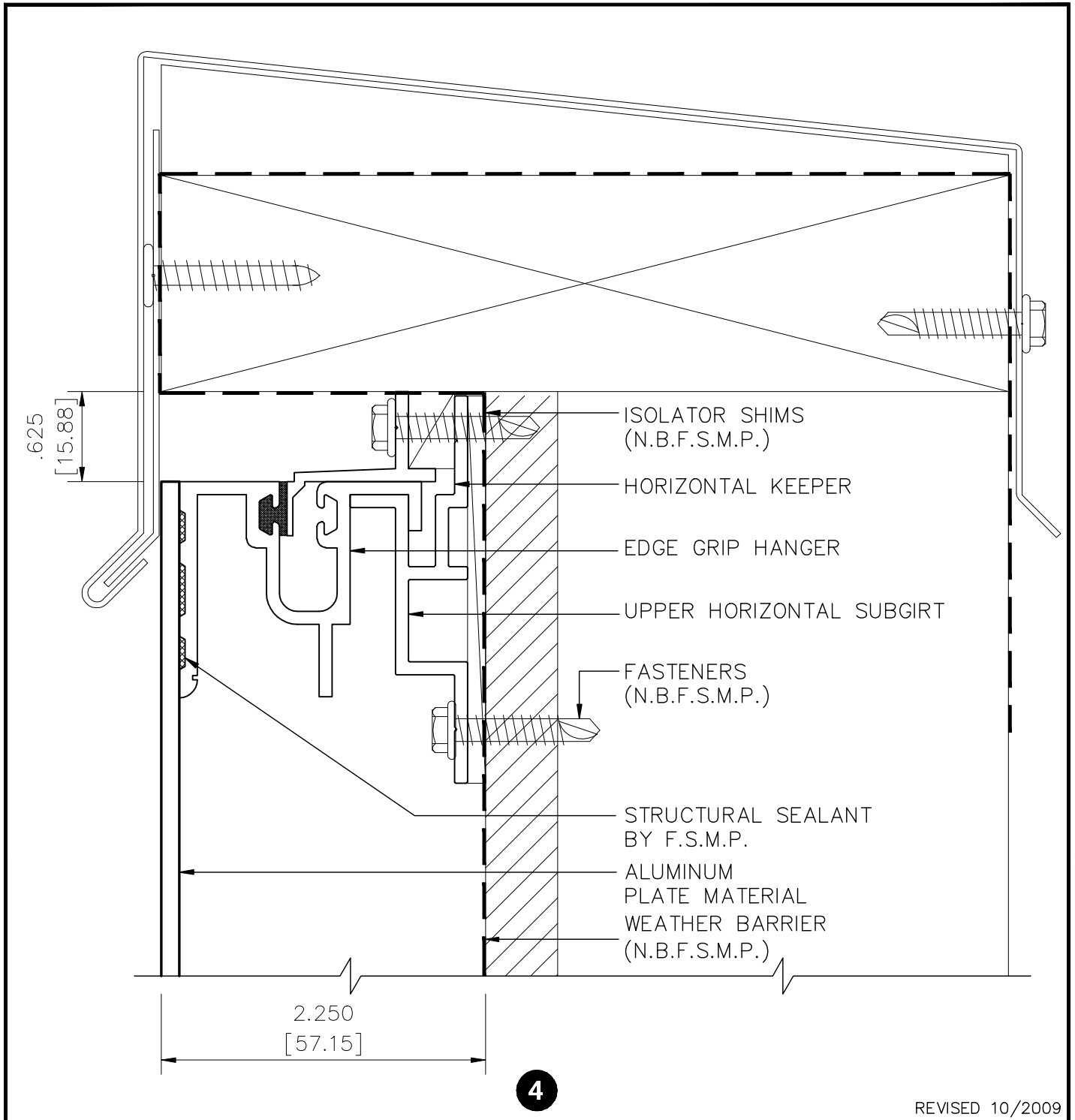


**SERIES 2500 - INSIDE CORNER DETAIL S2500-03**



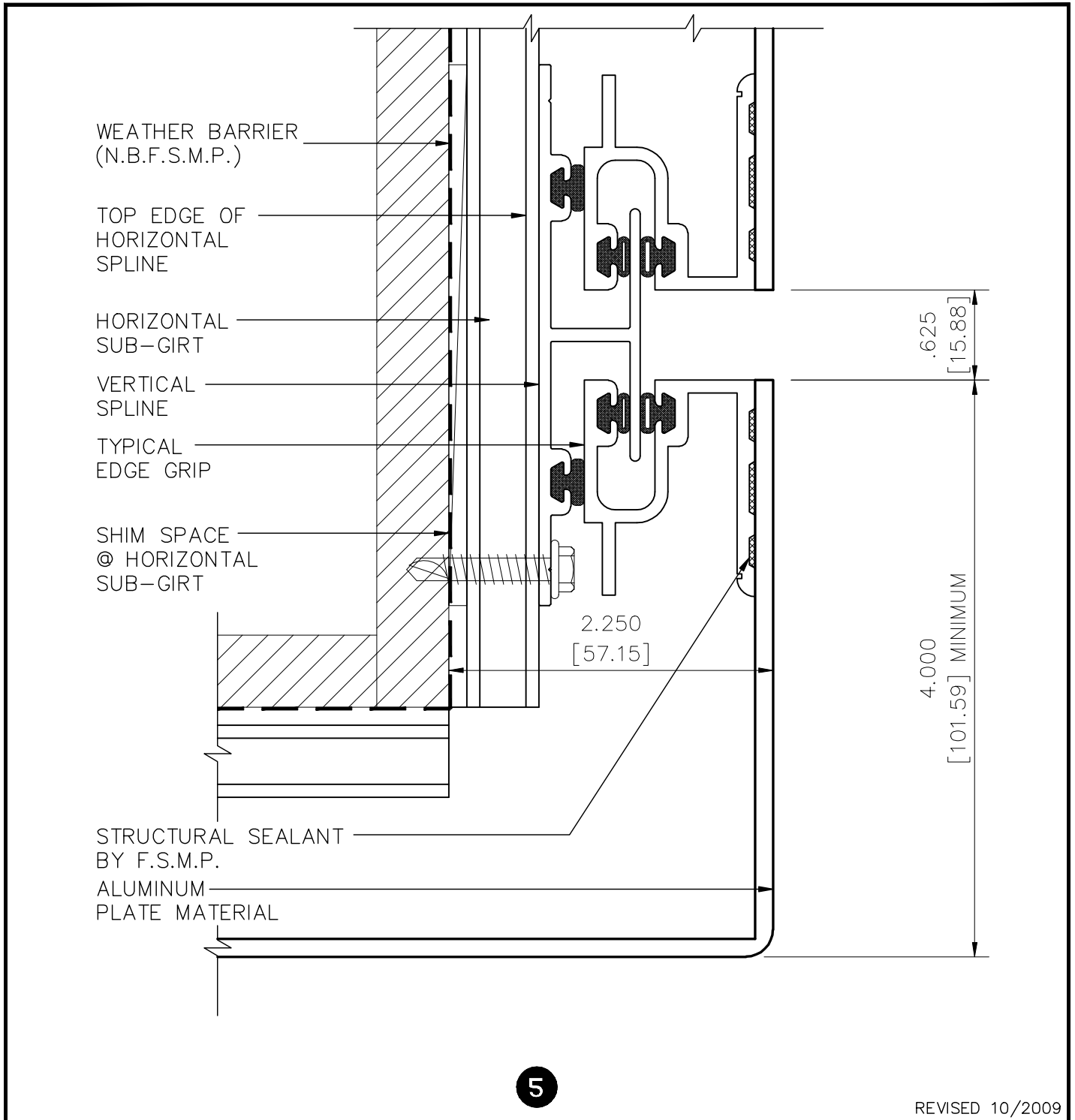
**SERIES 2500 - COPING DETAIL**

**S2500-04**



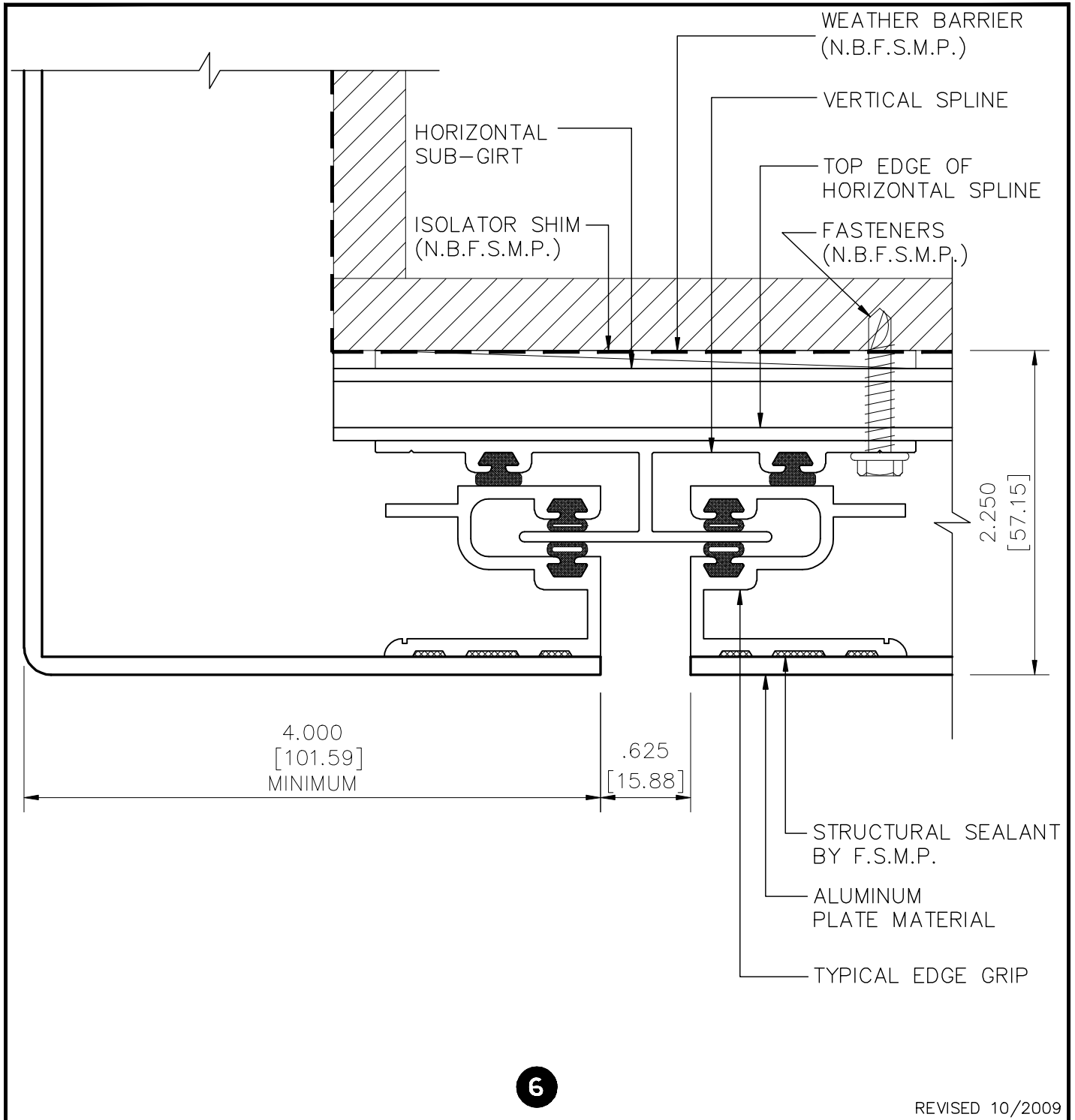
**SERIES 2500 - OUTSIDE CORNER DETAIL**

**S2500-05**



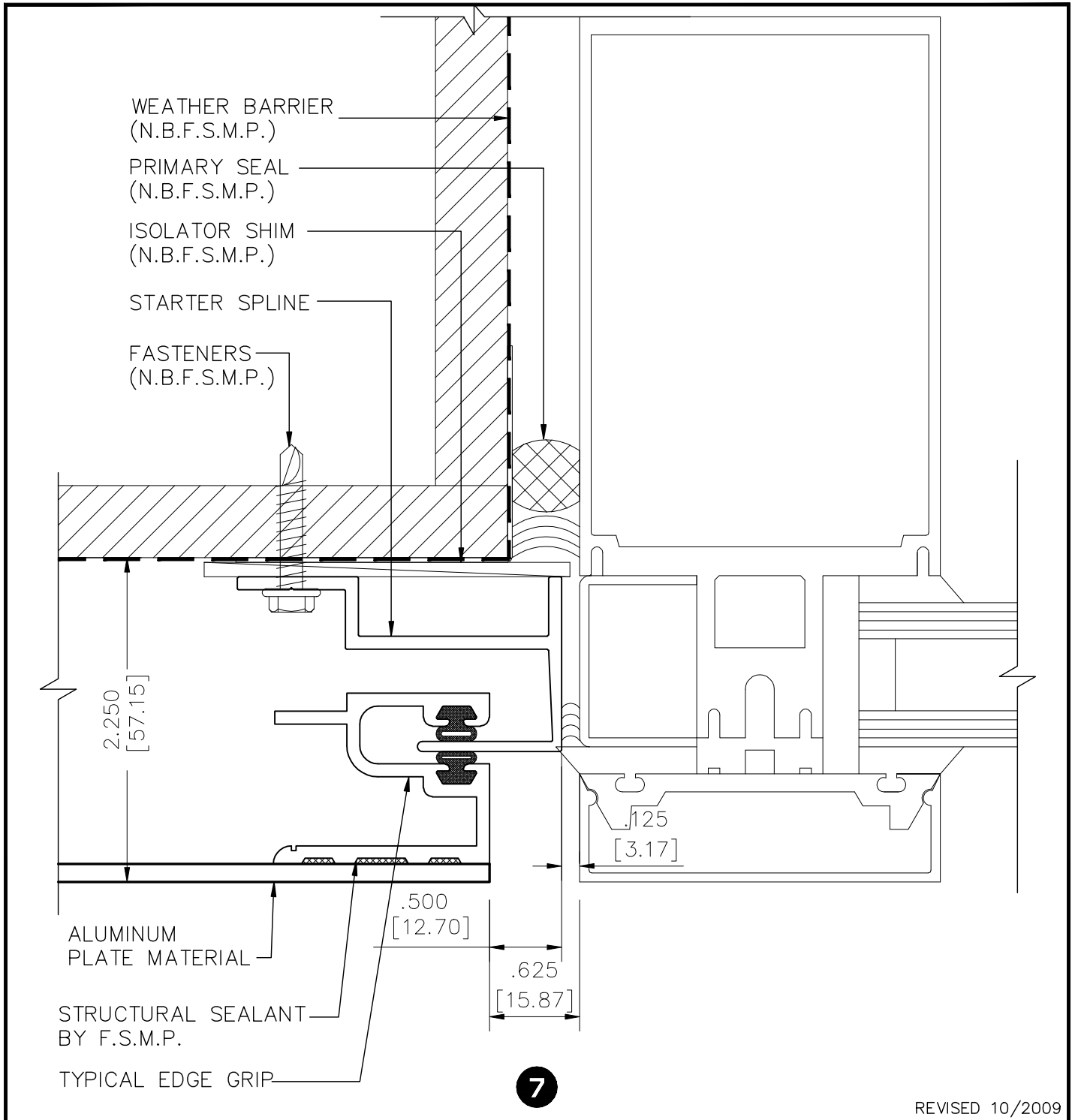
**SERIES 2500 - SOFFIT DETAIL**

**S2500-06**

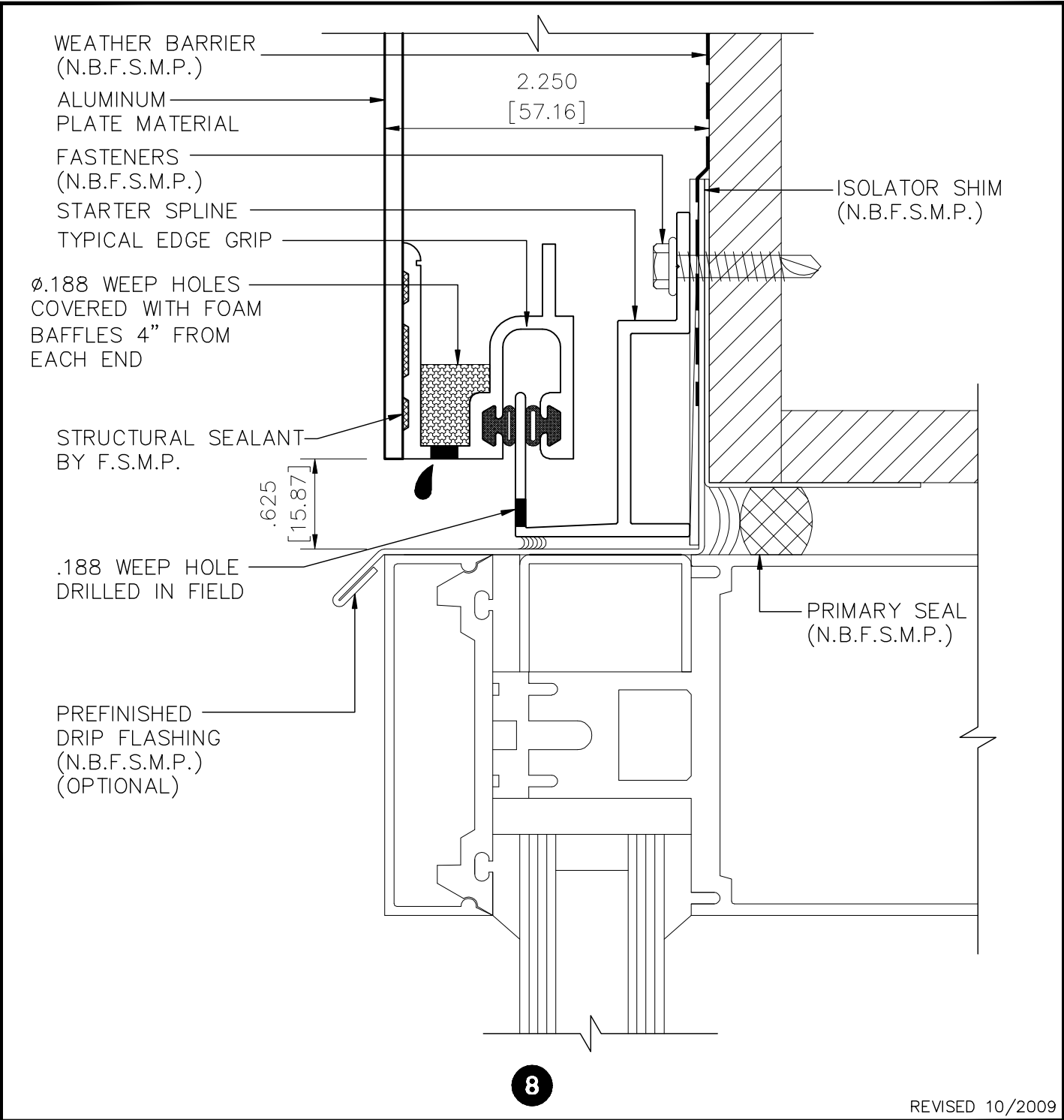


**SERIES 2500 - WINDOW JAMB DETAIL**

**S2500-07**

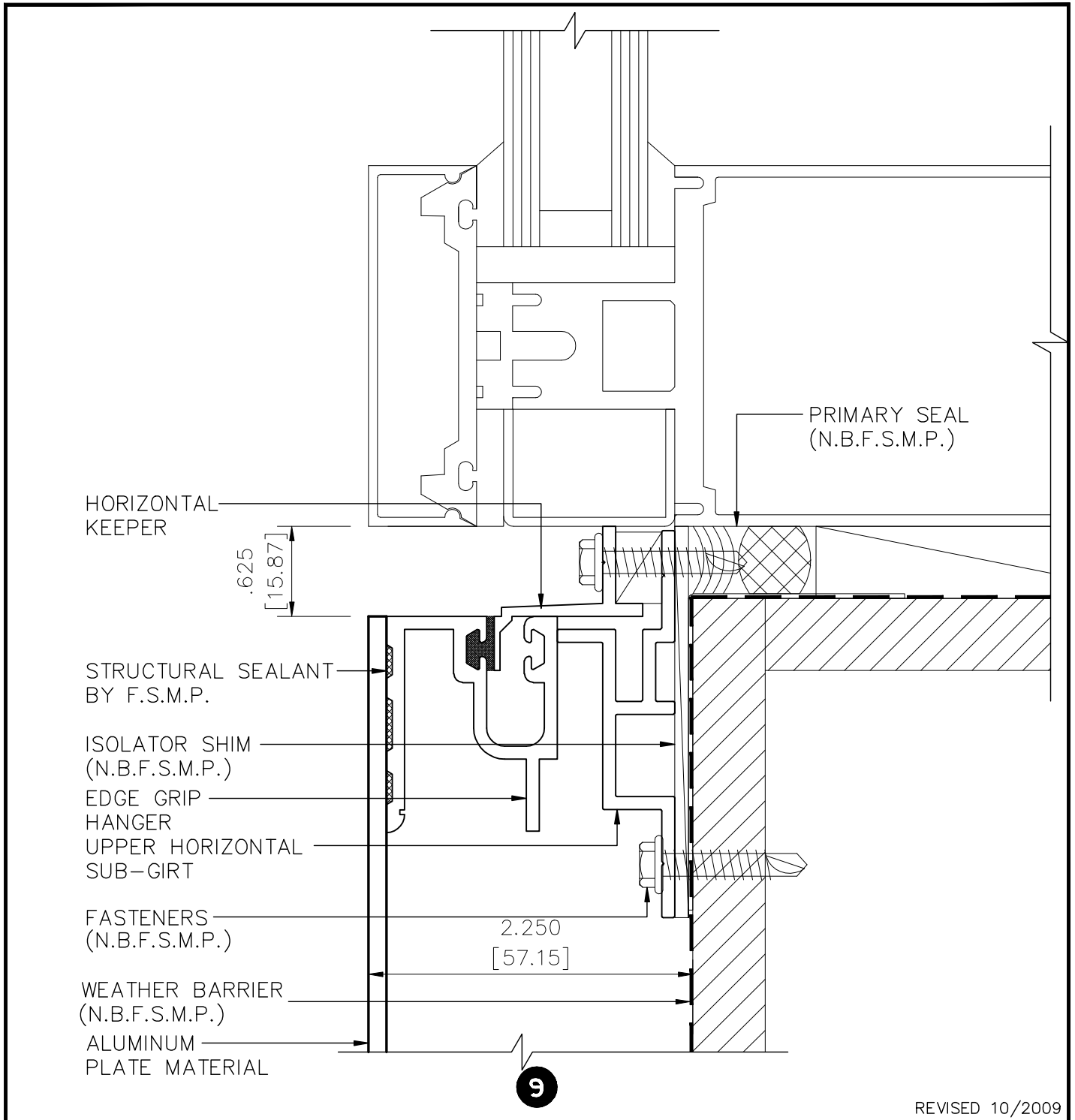


**SERIES 2500 - WINDOW HEAD DETAIL S2500-08**



**SERIES 2500 - WINDOW SILL DETAIL**

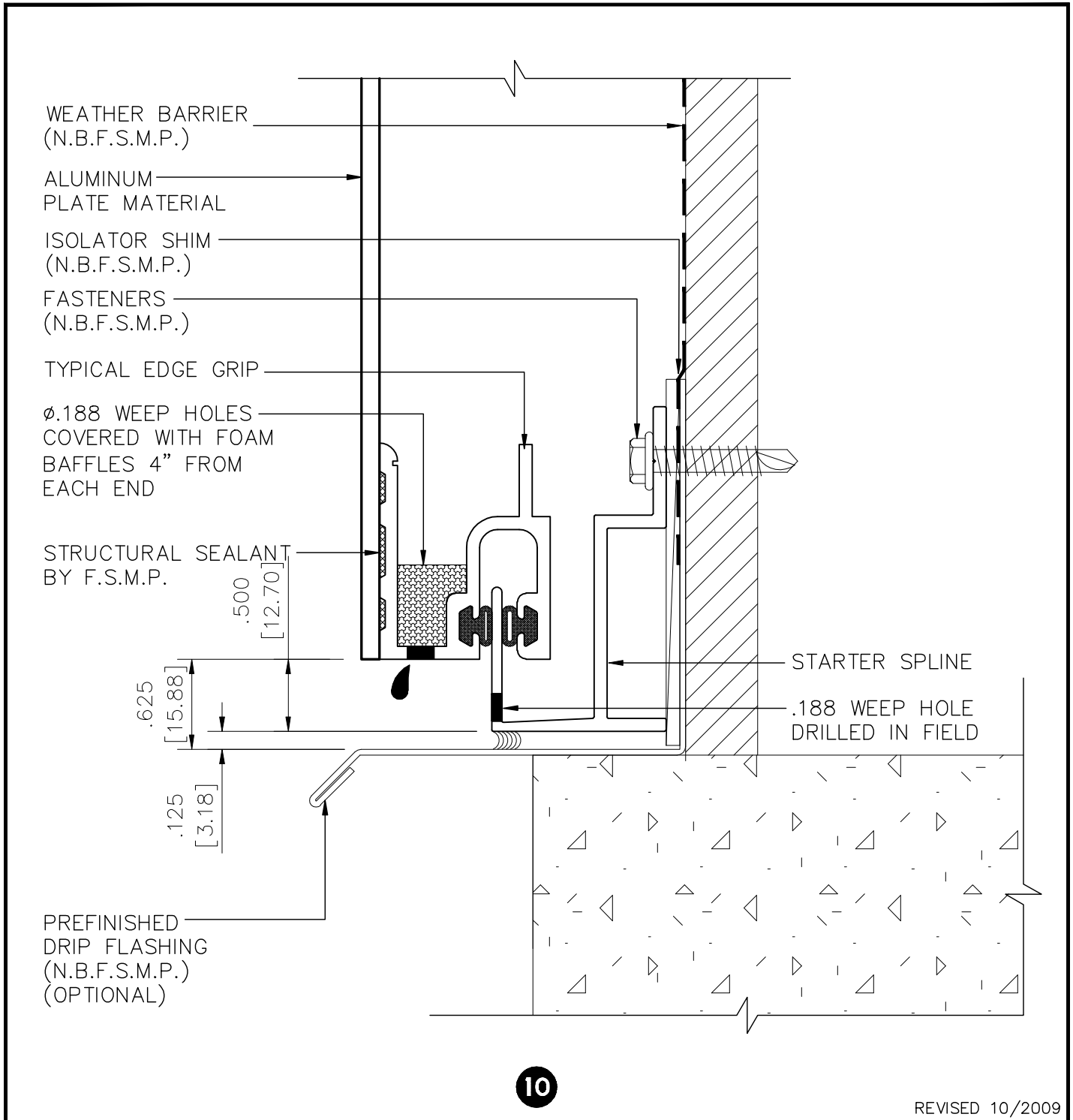
**S2500-09**



REVISED 10/2009

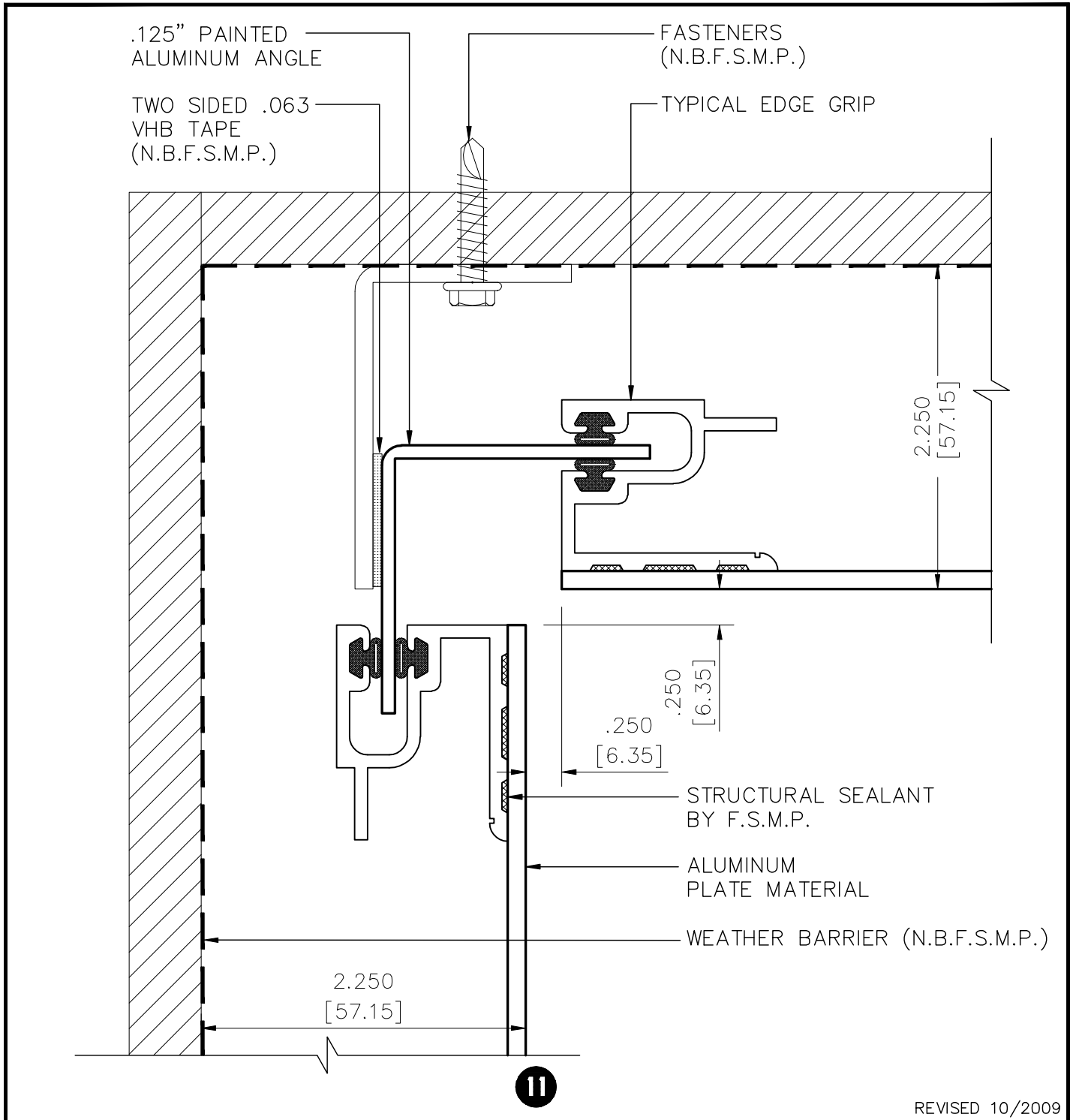
**SERIES 2500 - BASE DETAIL**

**S2500-10**



**SERIES 2500 - INSIDE CORNER DETAIL**

**S2500-11**





1-800-426-7737

WWW.UNACLAD.COM

## Series 2500 UNA-CLAD Panel

### DESCRIPTION

High performance system of aluminum plate material using extruded aluminum framing, subgirts and splines. A guttered system that has weeps at every horizontal joint. System is gasketed for "dry joints" without use of exposed sealant. Joint and perimeter frame color may vary from that of panel face.

### FEATURES

- excellent seismic performance
- large flat panels up to 60 inches wide
- free-floating panels to prevent structural movement from imposing load to panel face
- reveal joints
- no exposed sealants
- contrasting colors for joints and perimeter frame

### MATERIAL OPTIONS

- 1/8-inch (.125) and 3/16-inch (.187) skin thickness

### FINISH OPTIONS

- Kynar 500®/Hylar 5000® high performance fluorocarbon resinous coatings
- custom coatings
- anodized

### LIMITATIONS

- Panels cannot be radiused
- Consult factory regarding vertically oriented panels with height in excess of 60 inches