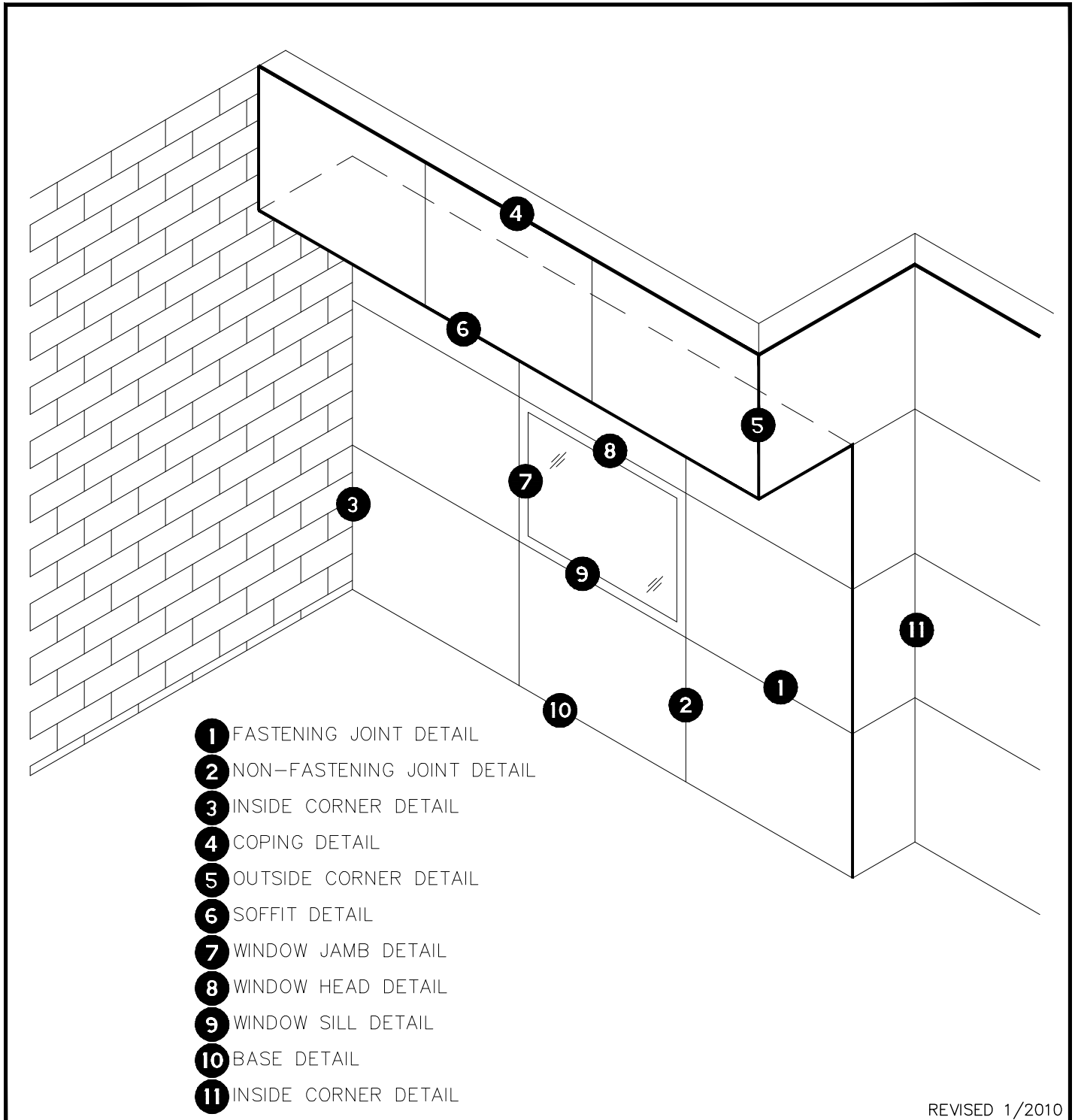


SERIES 1000UC UNA-CLAD PANEL INDEX

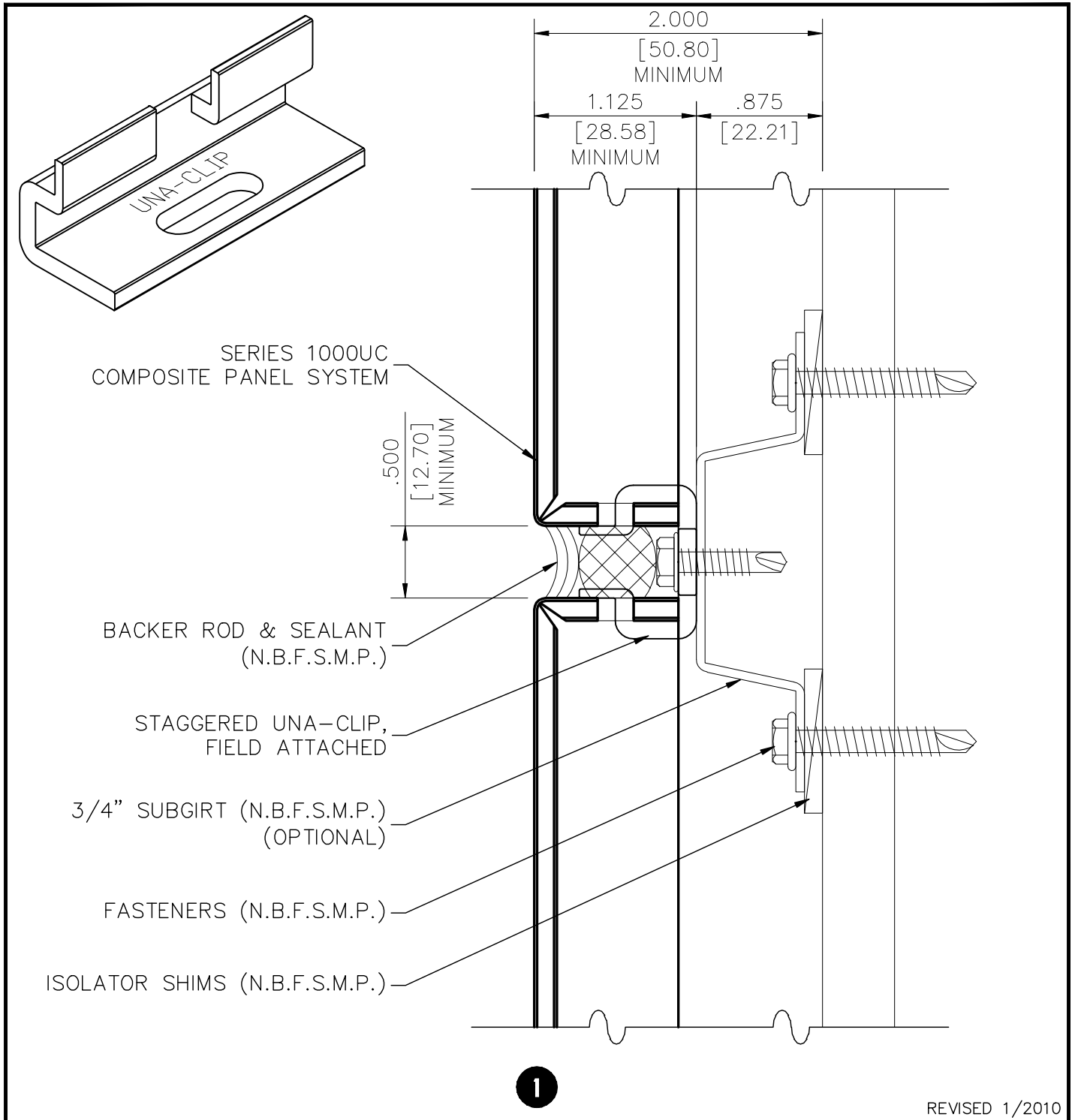
S1000UC-00



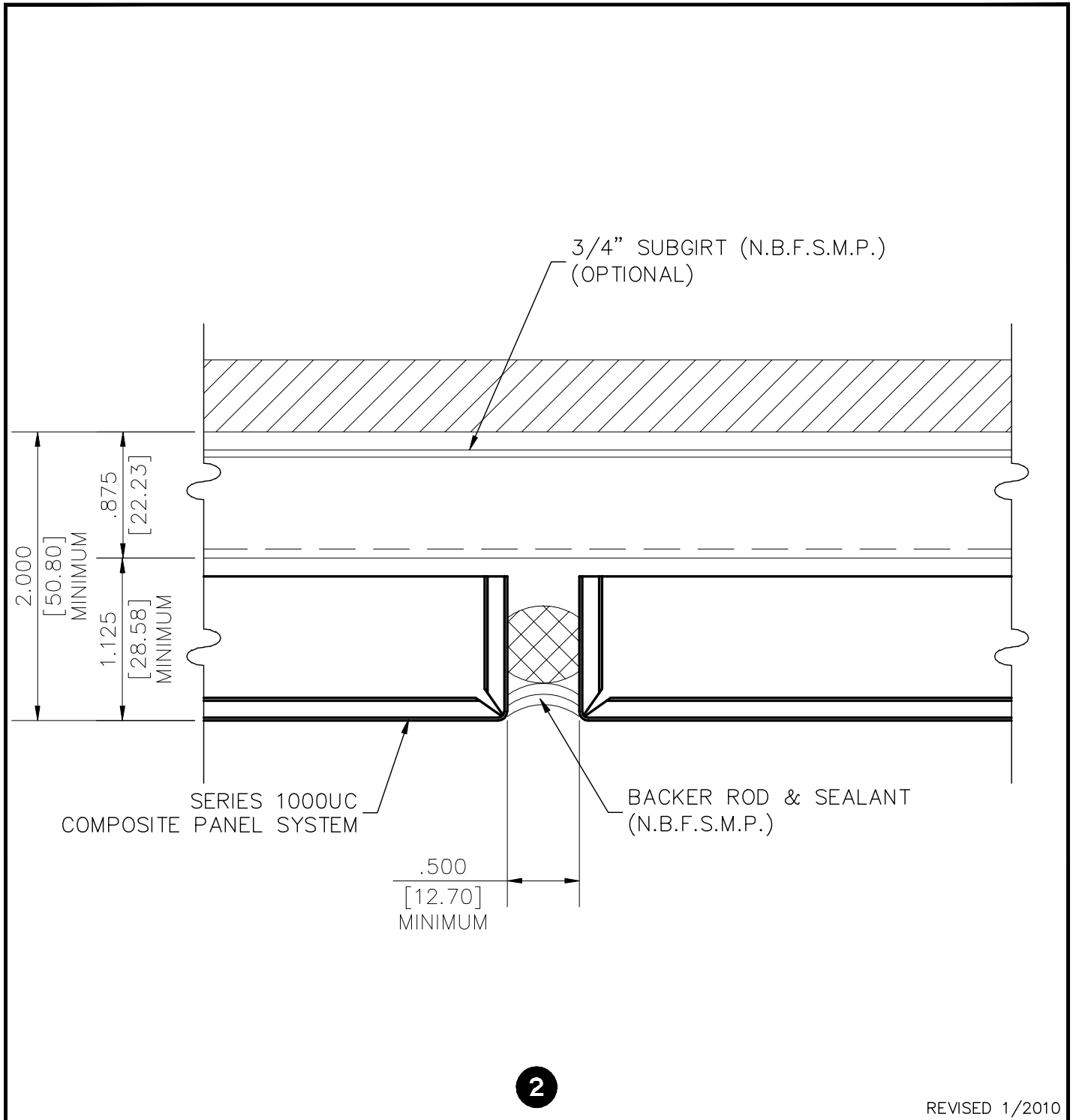
REVISED 1/2010

SERIES 1000UC - FASTENING JOINT DETAIL

S1000UC-01

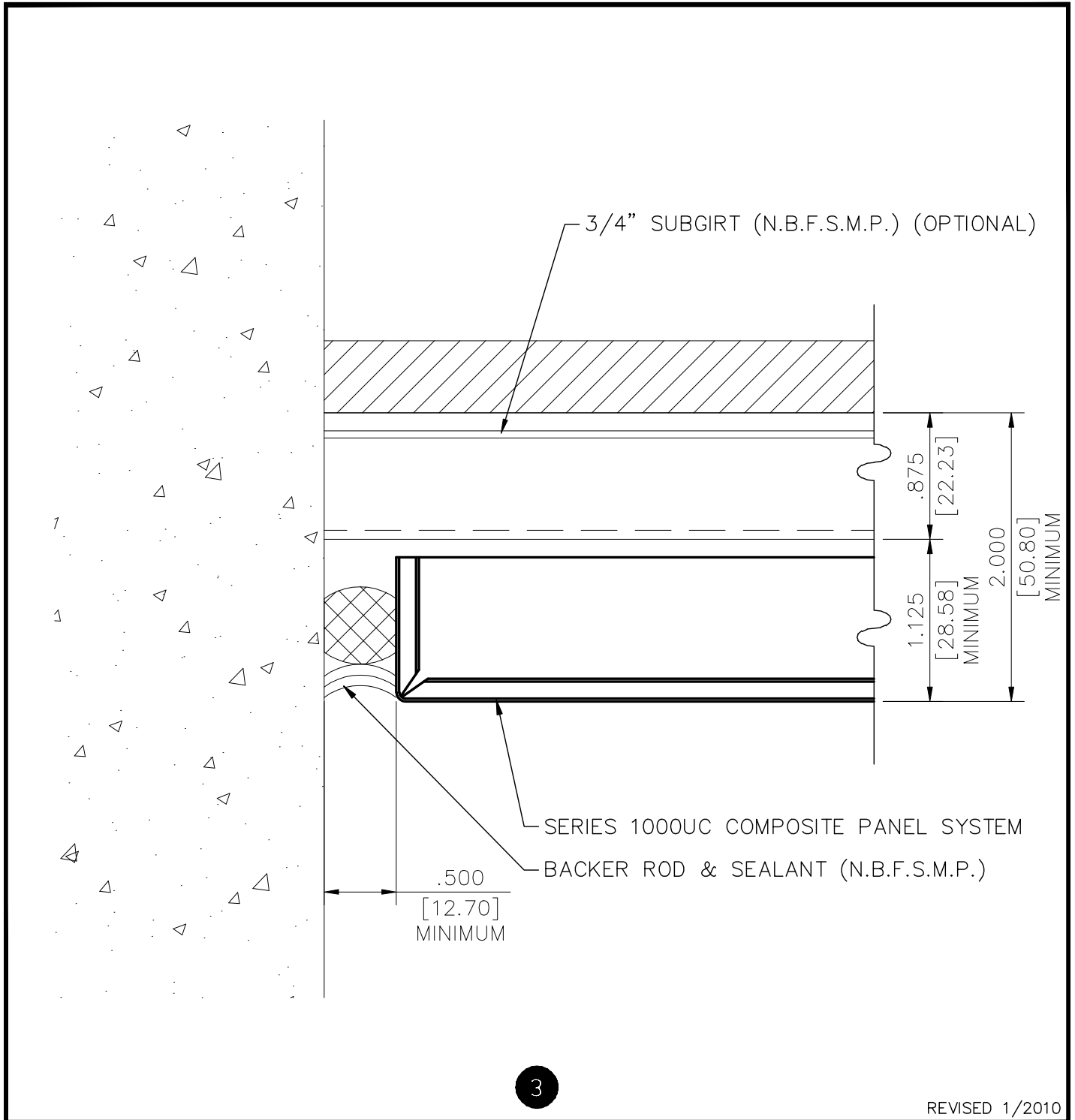


SERIES 1000UC - NON-FASTENING JOINT DETAIL S1000UC-02

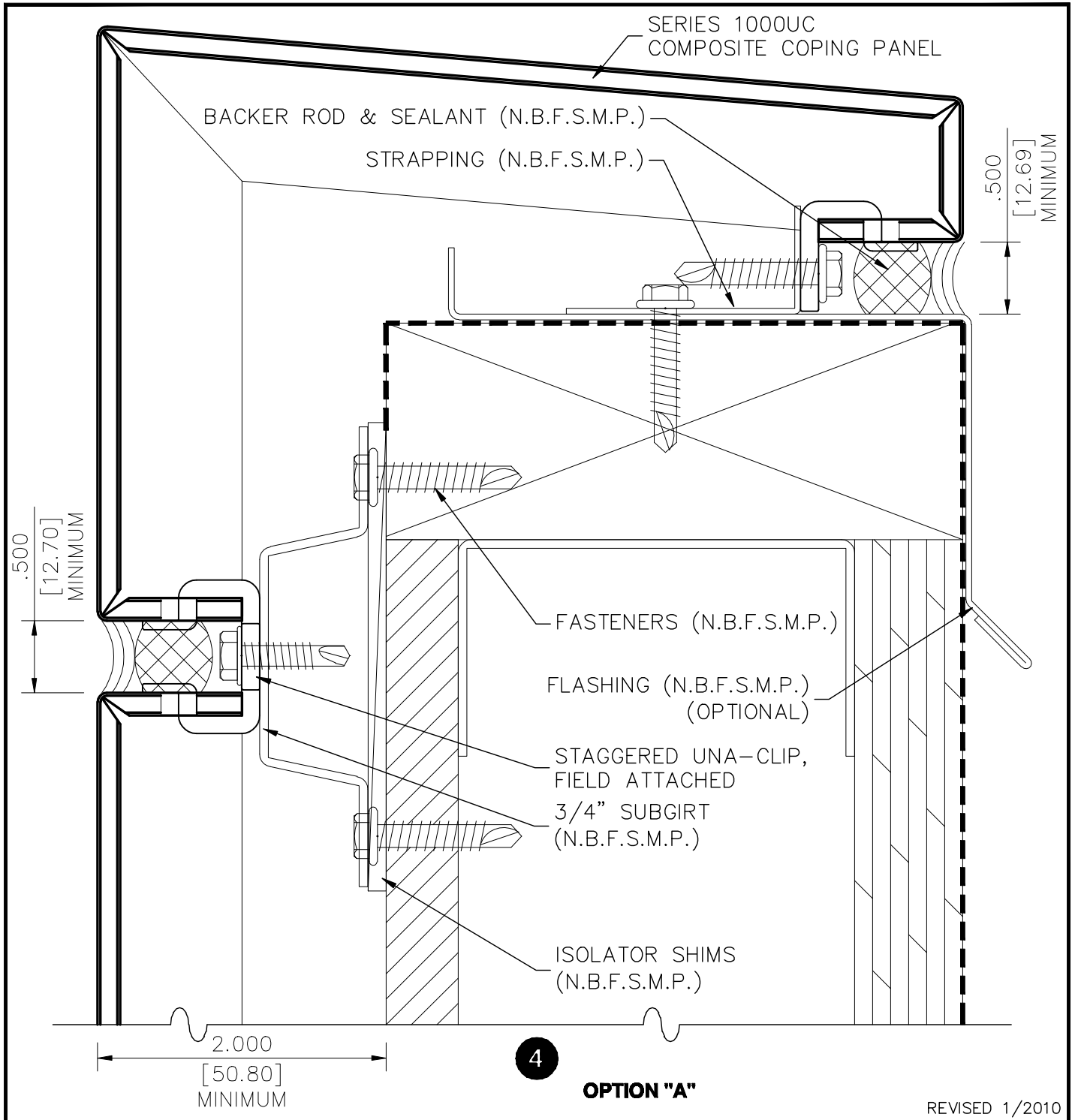


SERIES 1000UC - INSIDE CORNER DETAIL

S1000UC-03

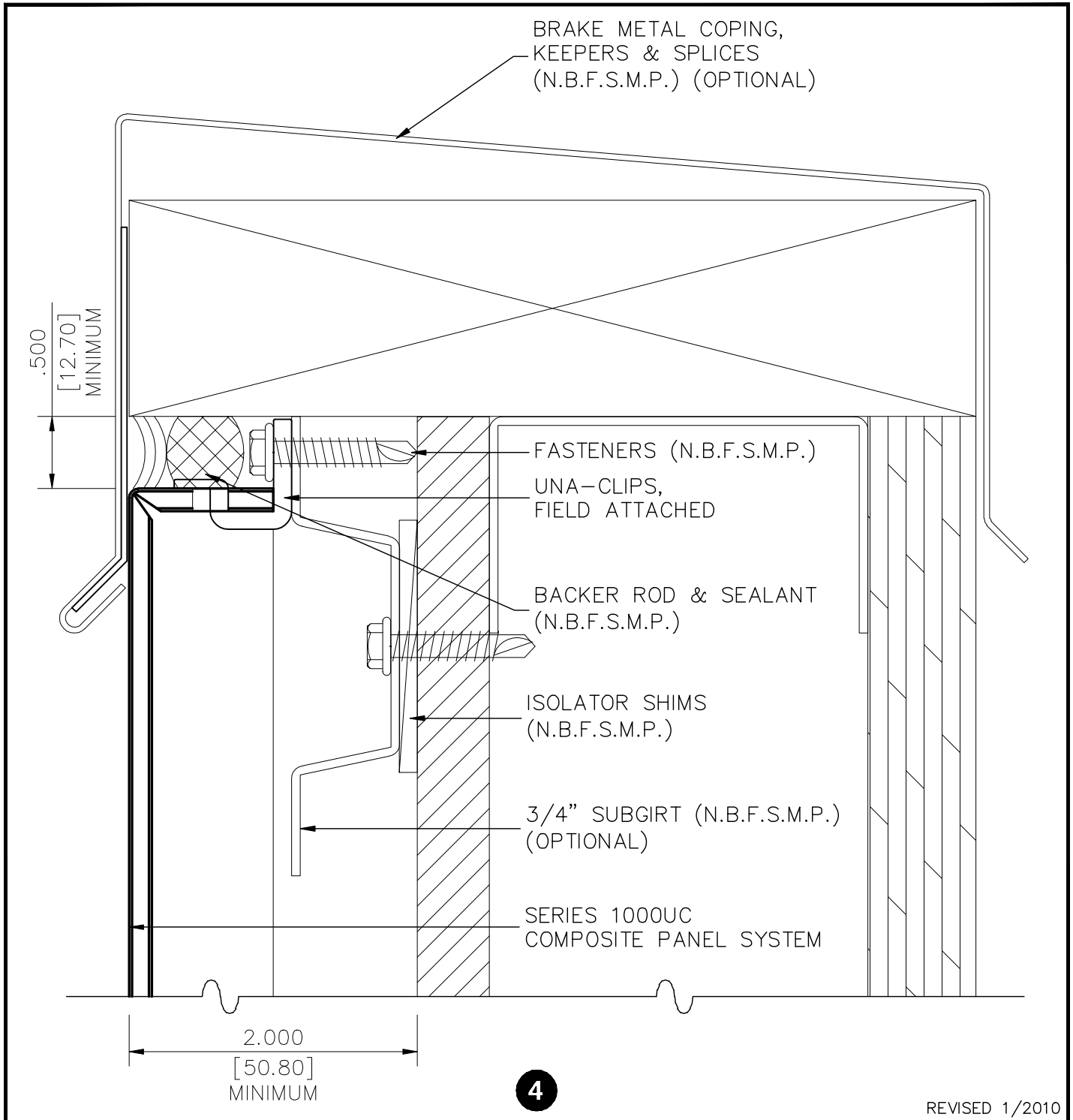


SERIES 1000UC - COPING DETAIL (OPTION "A") S1000UC-04A

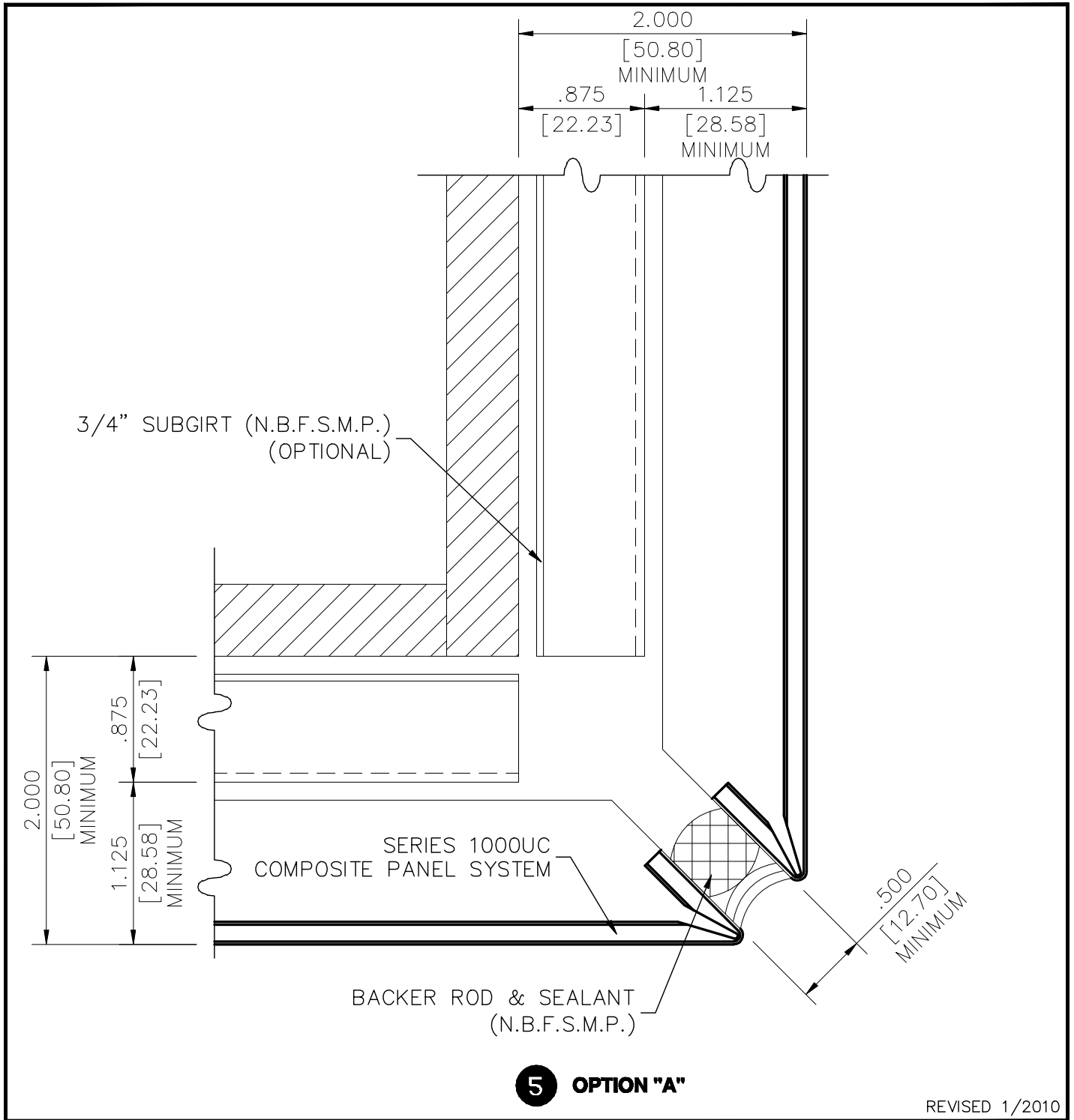


SERIES 1000UC - COPING DETAIL

S1000UC-04

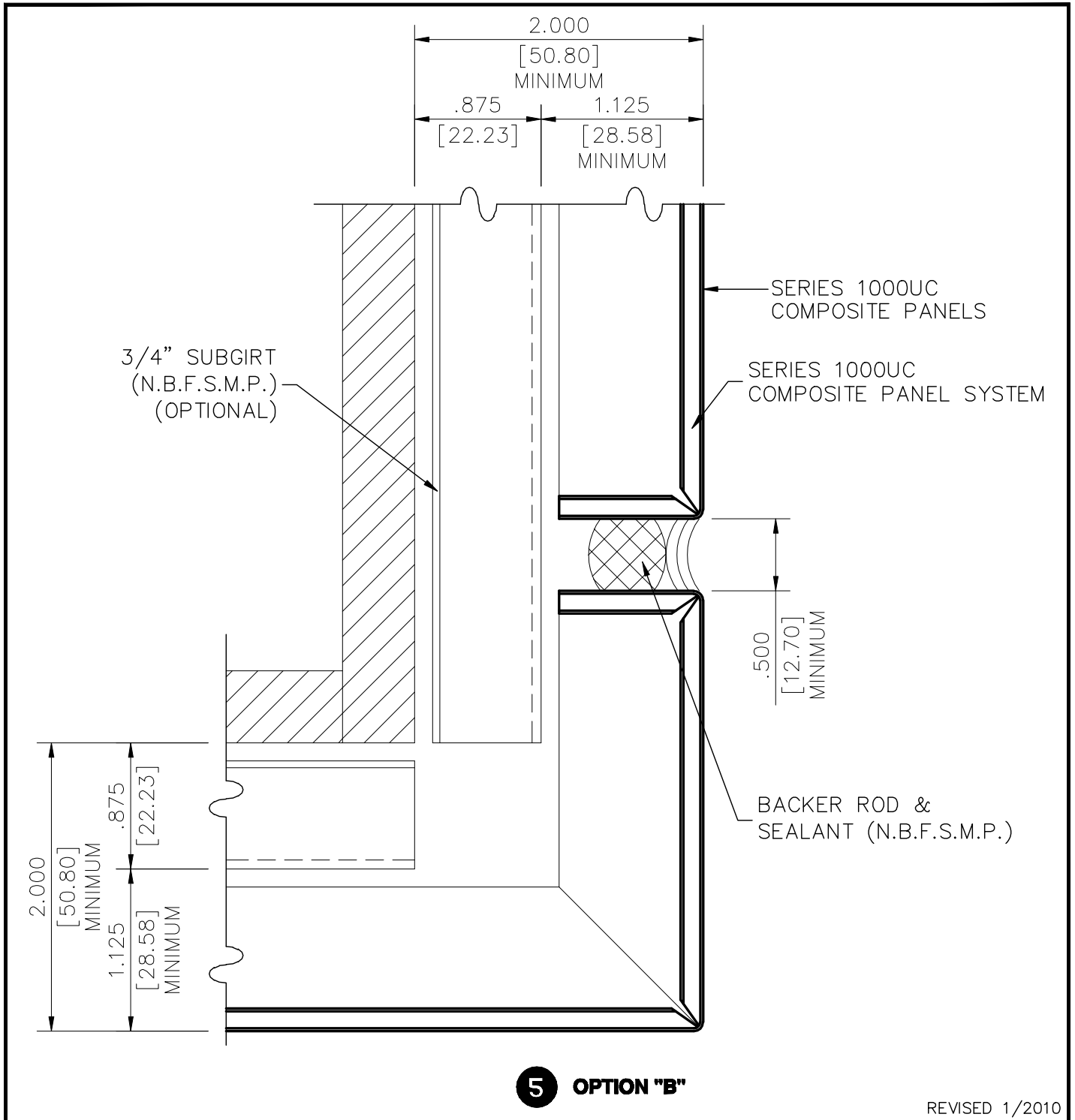


SERIES 1000UC - OUTSIDE CORNER DETAIL S1000UC-05A

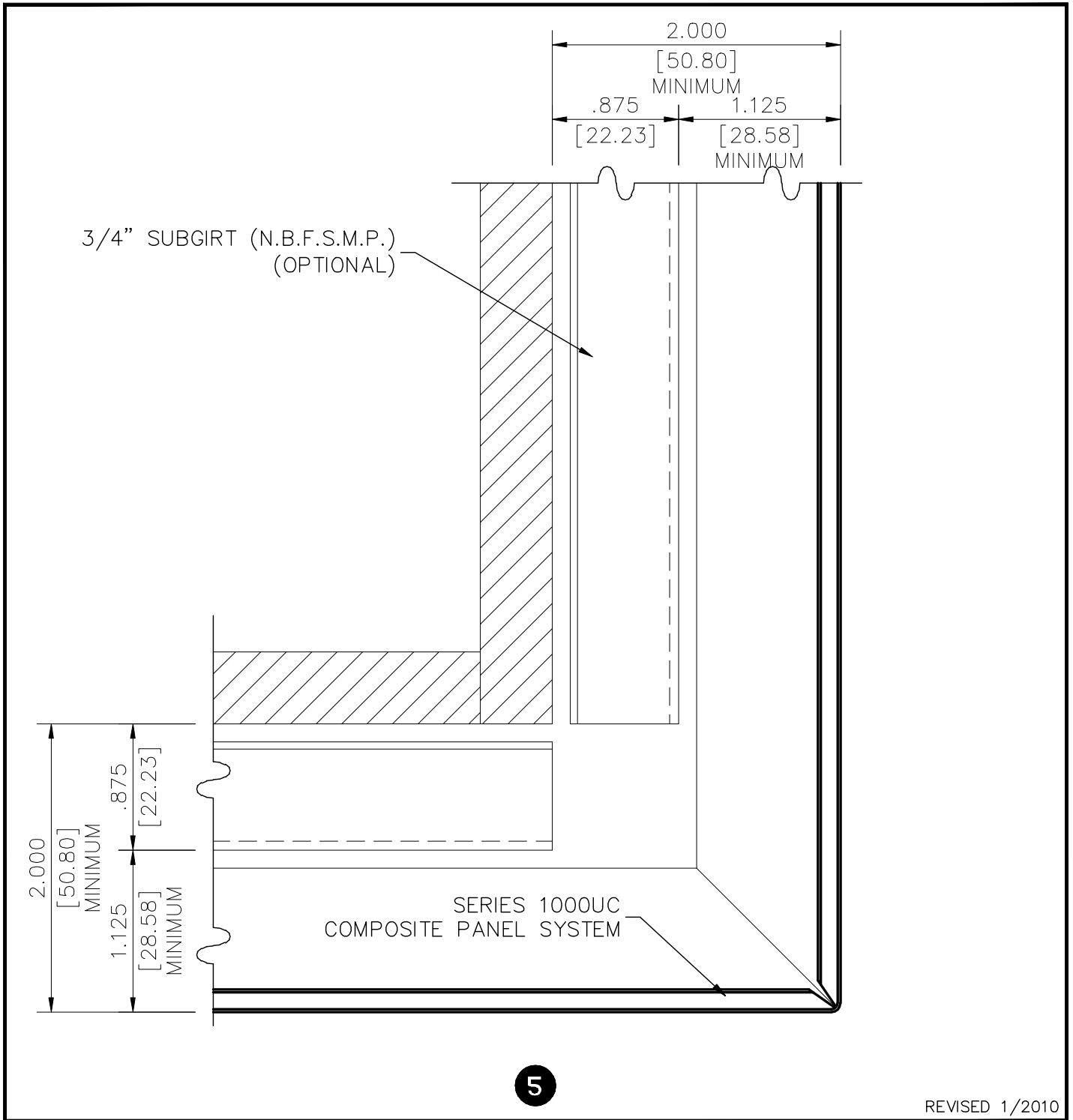


SERIES 1000UC - OUTSIDE CORNER DETAIL

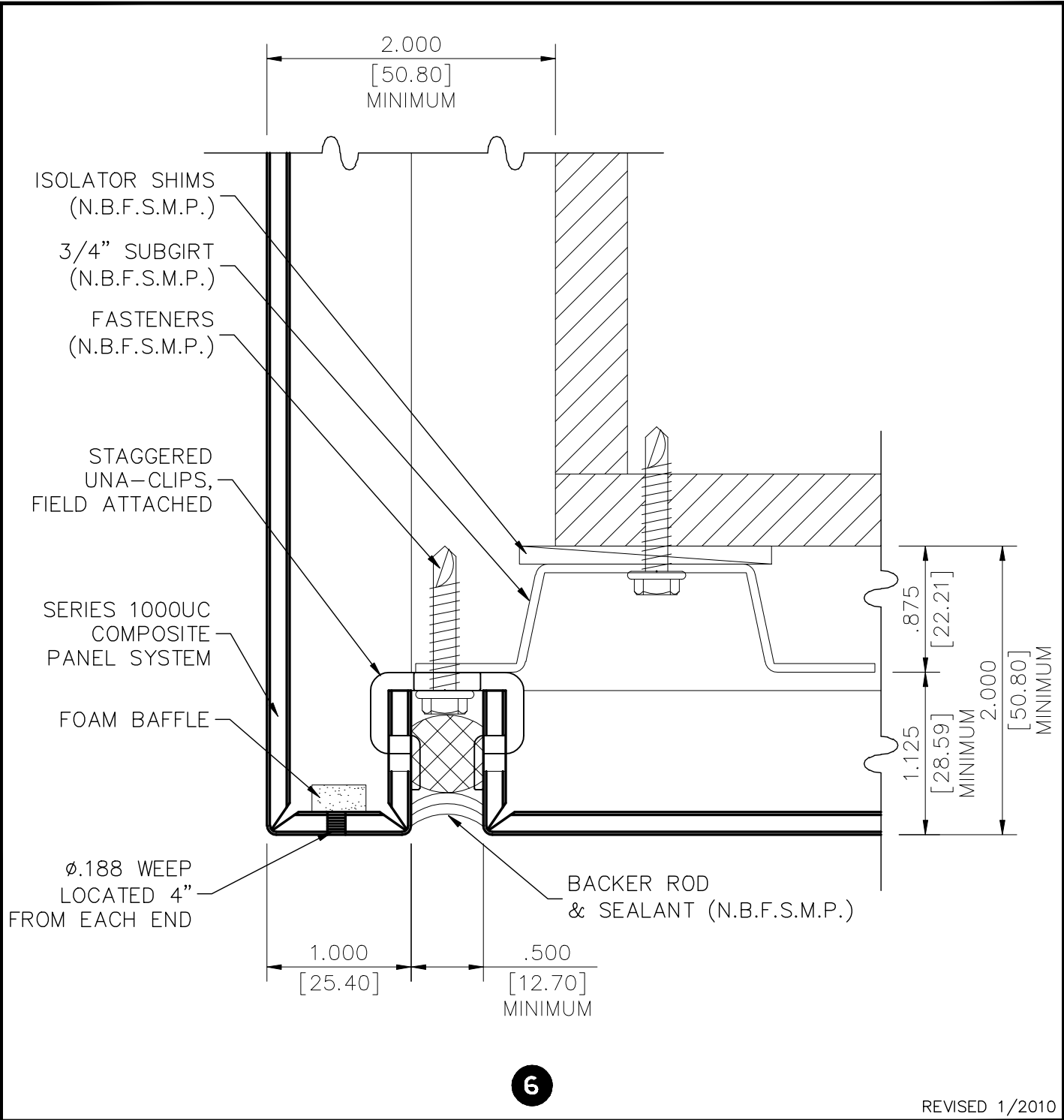
S1000UC-05B



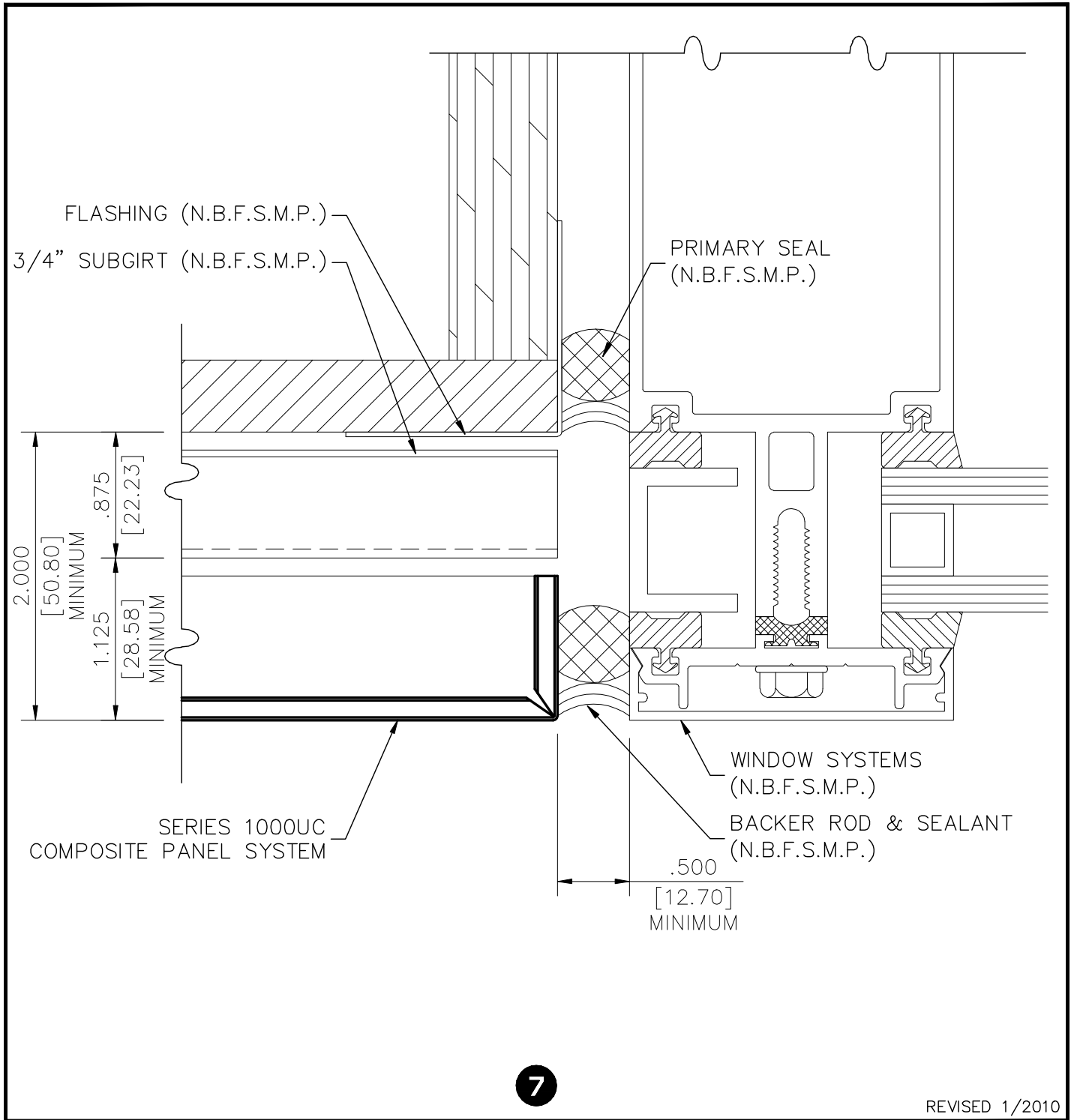
SERIES 1000UC - OUTSIDE CORNER DETAIL S1000UC-05



SERIES 1000UC - SOFFIT DETAIL S1000UC-06

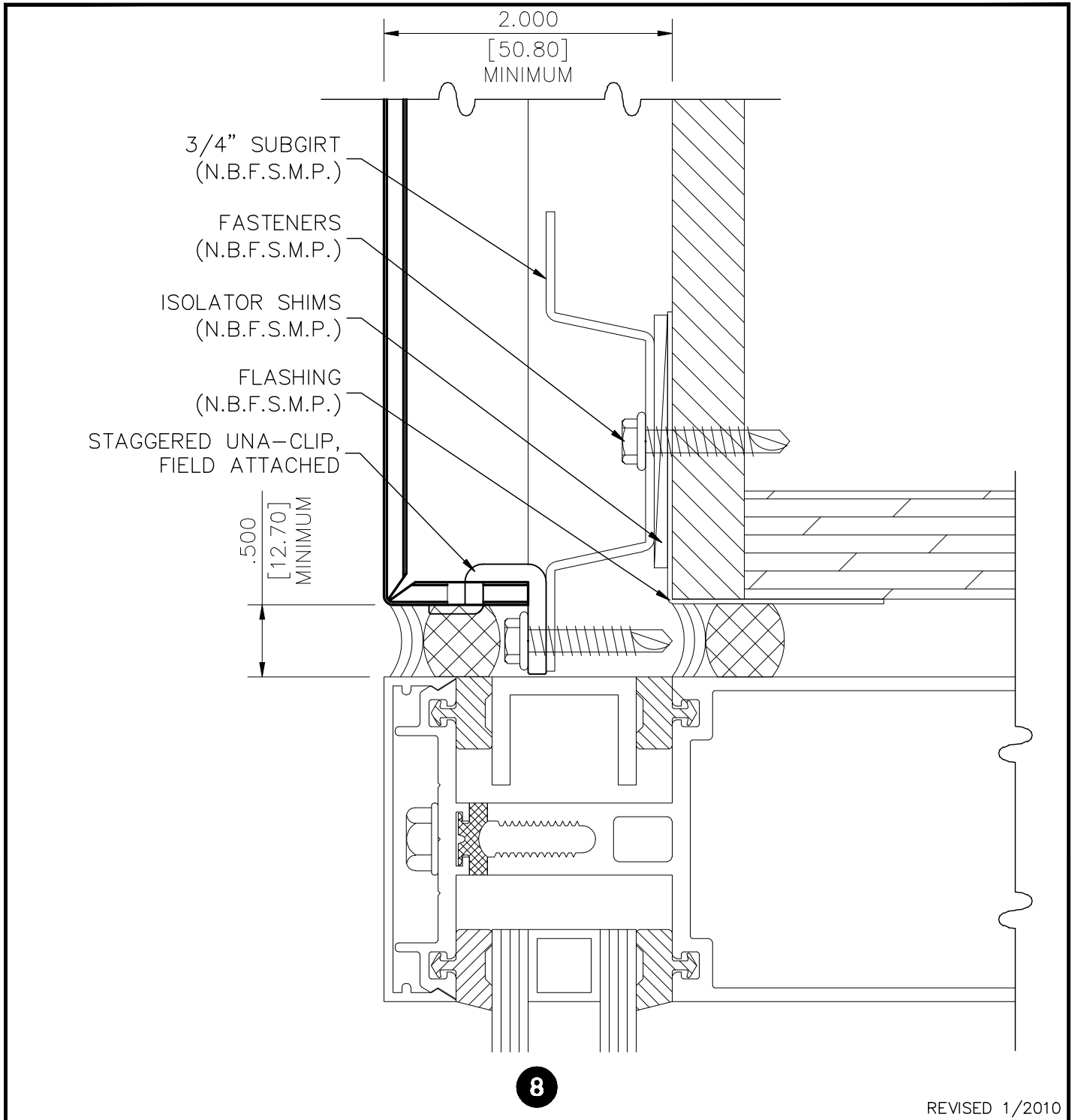


SERIES 1000UC - WINDOW JAMB DETAIL S1000UC-07

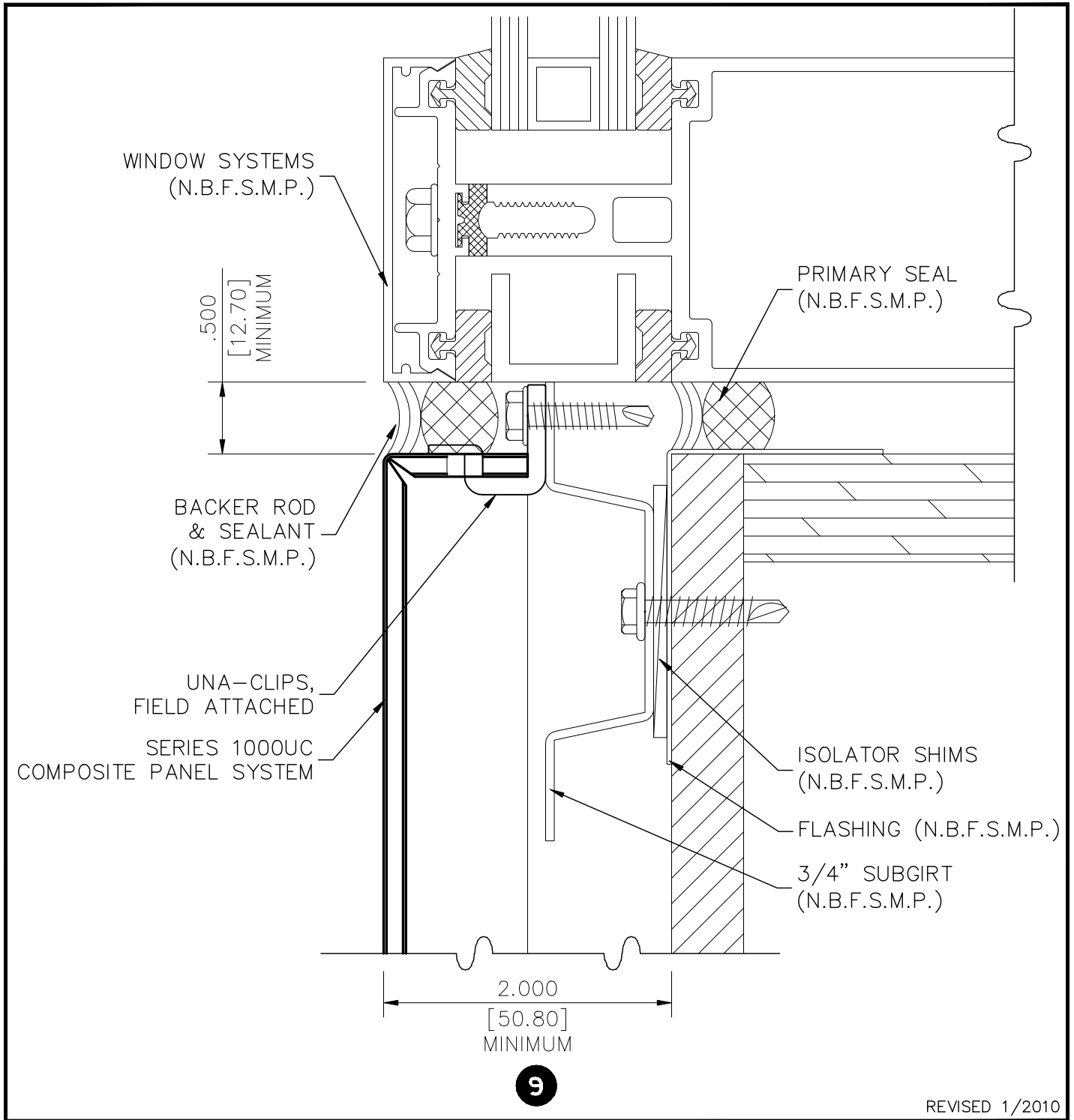


SERIES 1000UC - WINDOW HEAD DETAIL

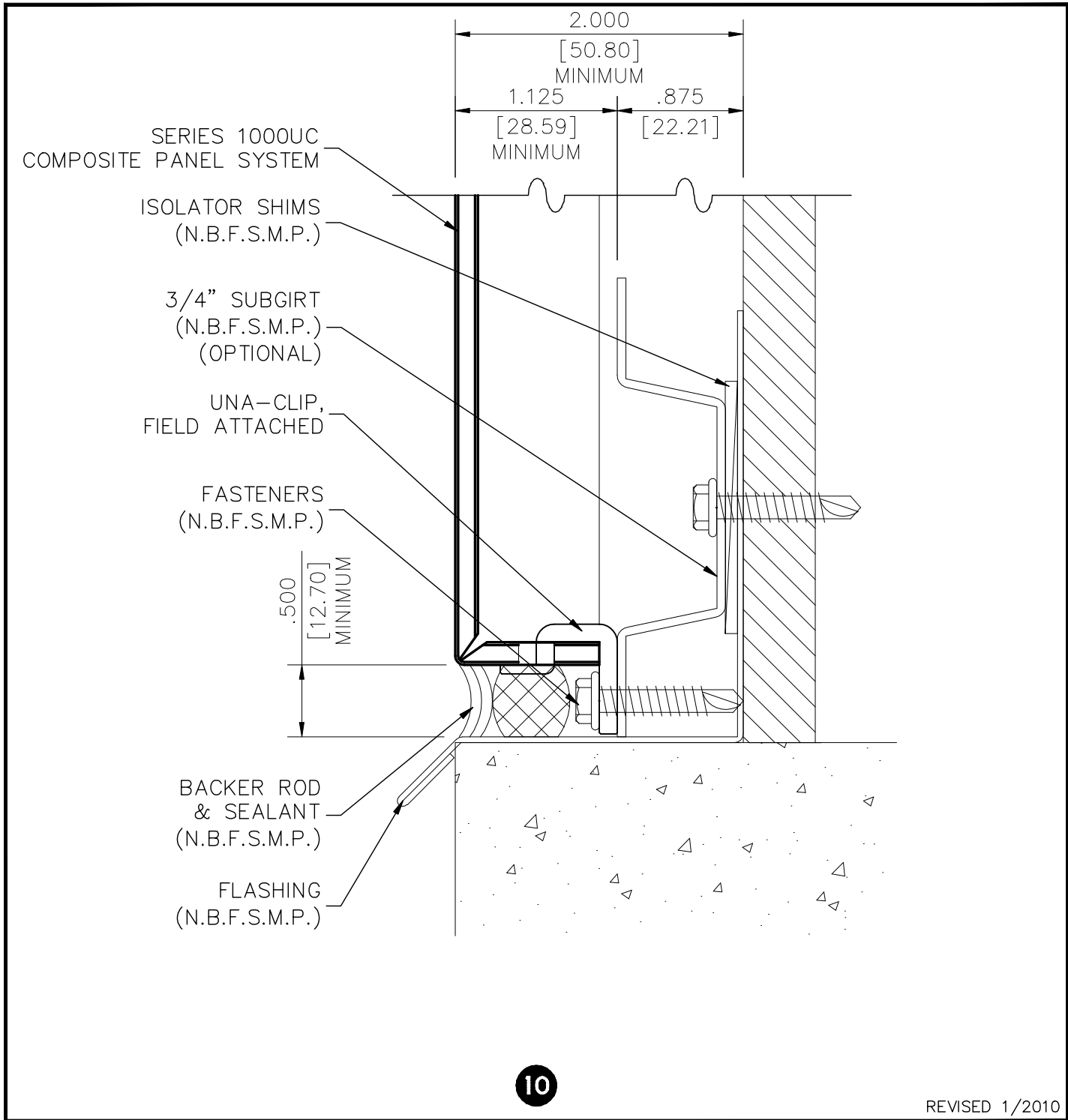
S1000UC-08



SERIES 1000UC - WINDOW SILL DETAIL S1000UC-09

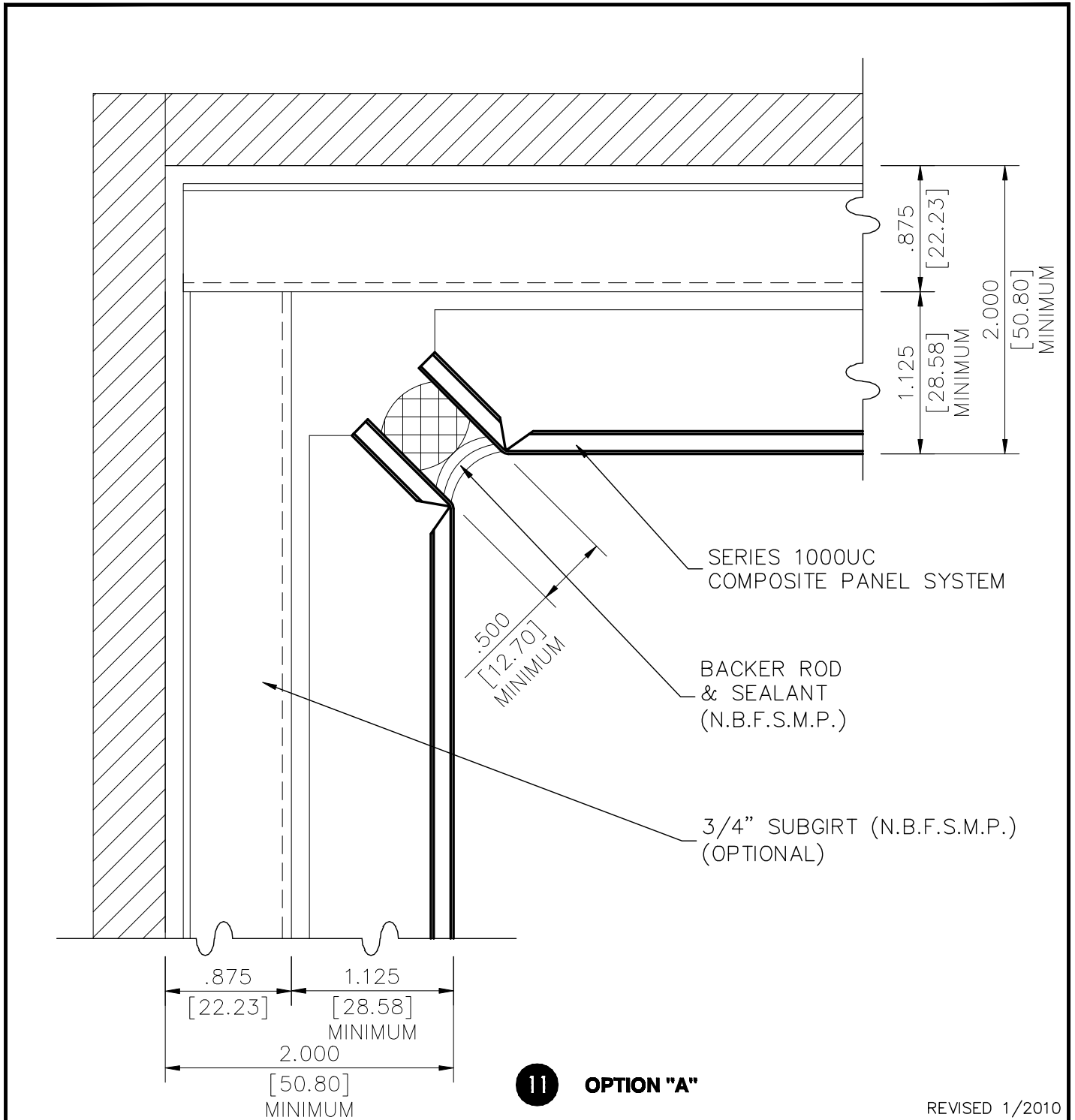


SERIES 1000UC - BASE DETAIL S1000UC-10



SERIES 1000UC - INSIDE CORNER DETAIL

S1000UC-11A



SERIES 1000UC - INSIDE CORNER DETAIL

S1000UC-11

