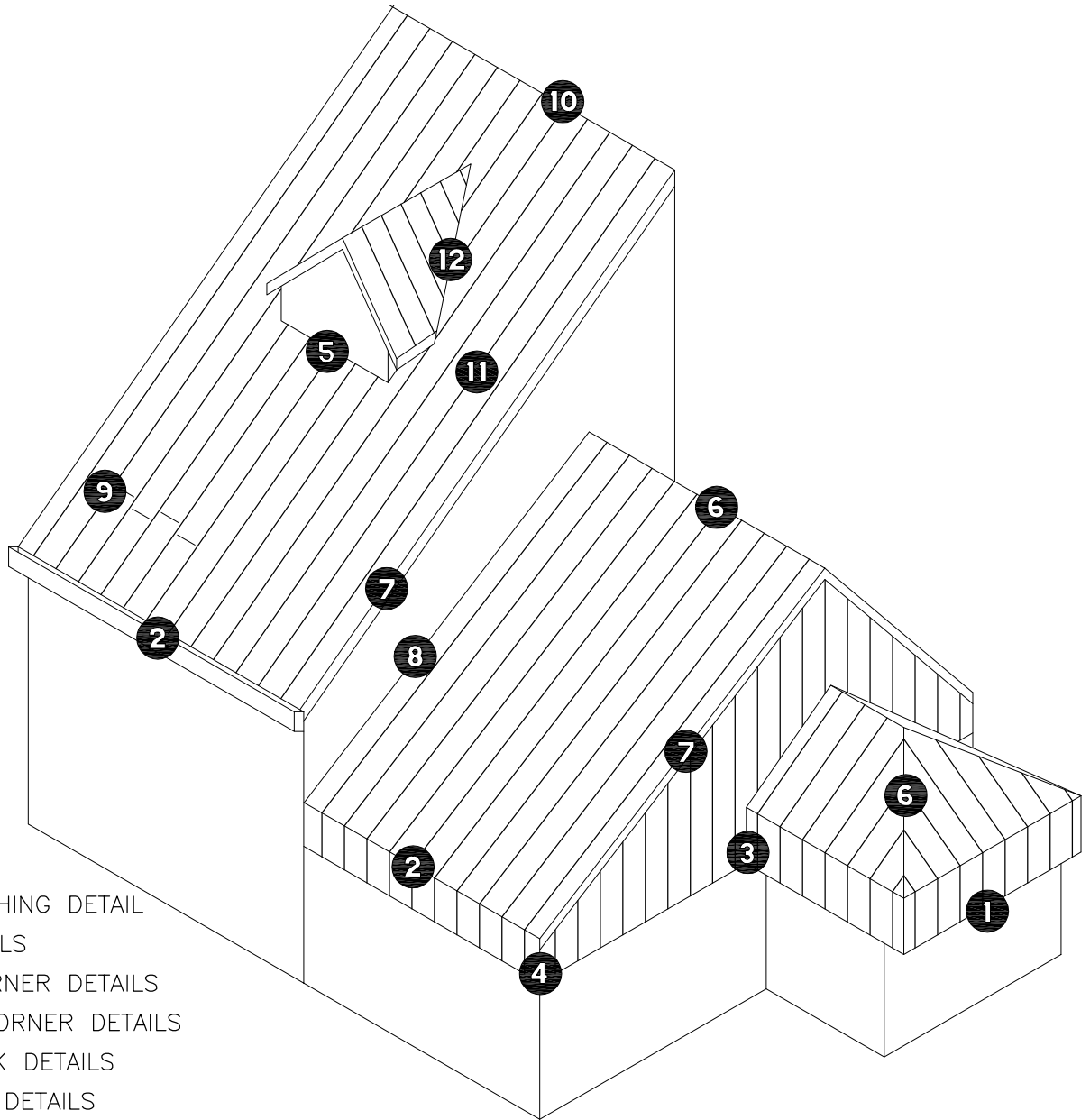


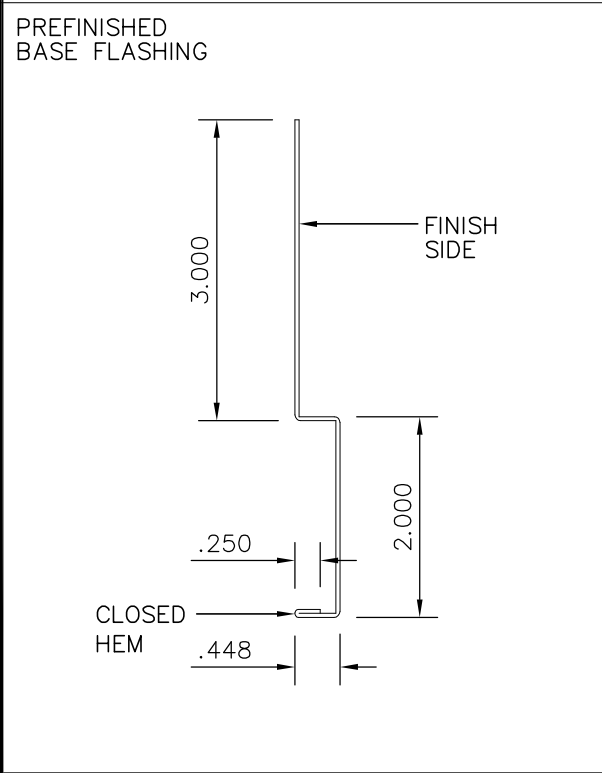
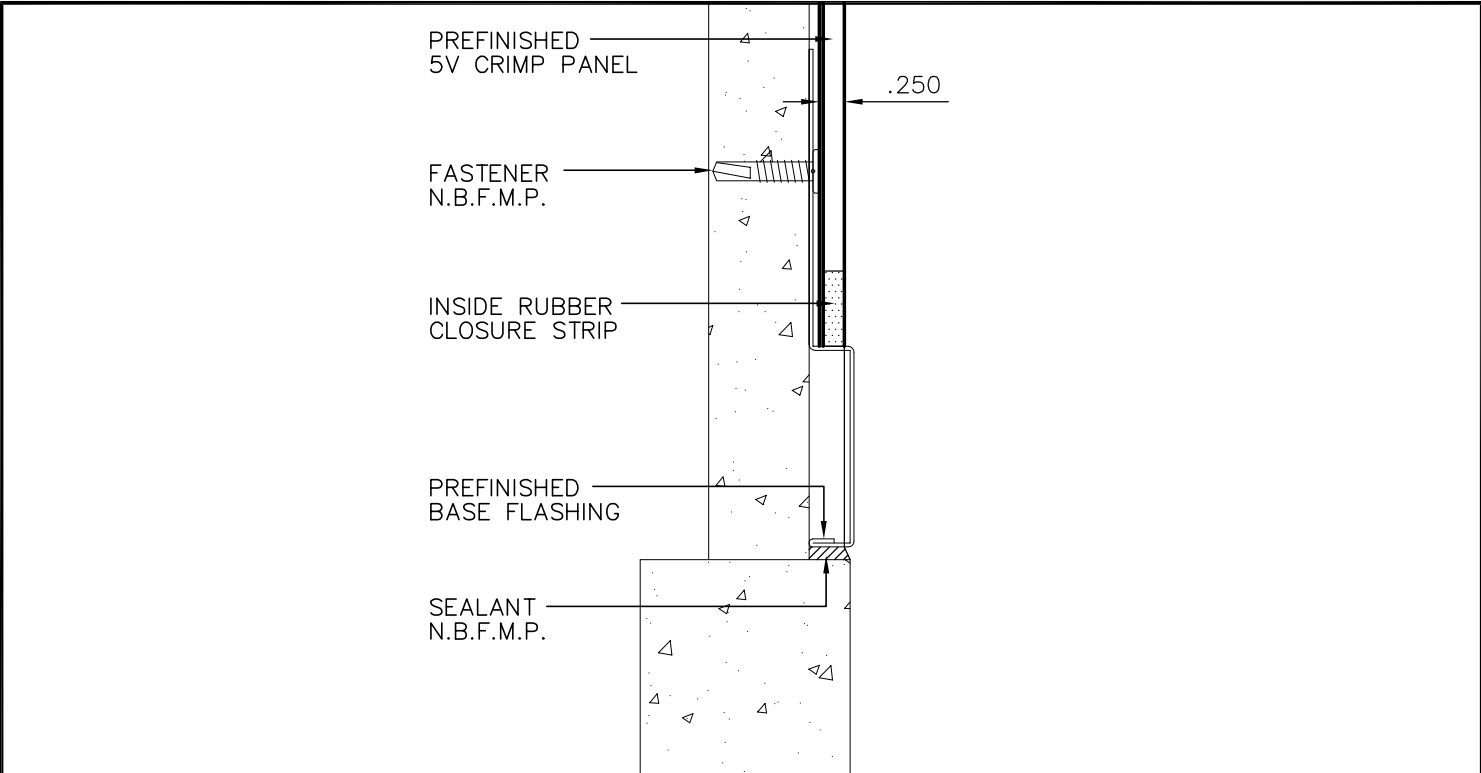
5V CRIMP PANEL INDEX

5V-00



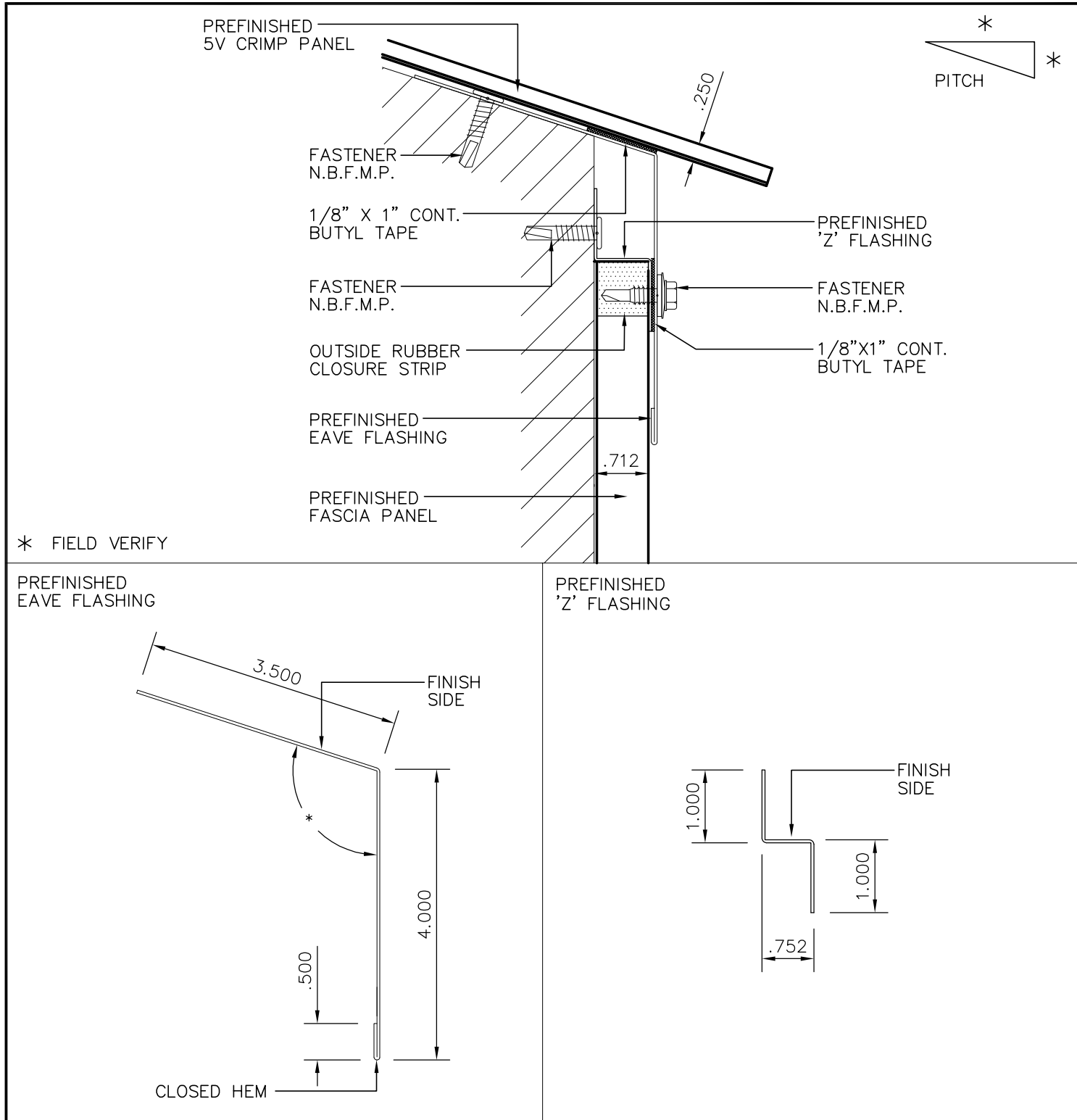
- 1** BASE FLASHING DETAIL
- 2** EAVE DETAILS
- 3** INSIDE CORNER DETAILS
- 4** OUTSIDE CORNER DETAILS
- 5** PITCHBREAK DETAILS
- 6** RIDGE/HIP DETAILS
- 7** RAKE EDGE DETAILS
- 8** RAKE WALL DETAILS
- 9** SNOW CLIP DETAILS
- 10** TOP COPING DETAILS
- 11** TRANSVERSE SEAM DETAILS
- 12** VALLEY FLASHING DETAILS

5V CRIMP BASE DETAIL @ 5V CRIMP WALL PANEL 5V-01



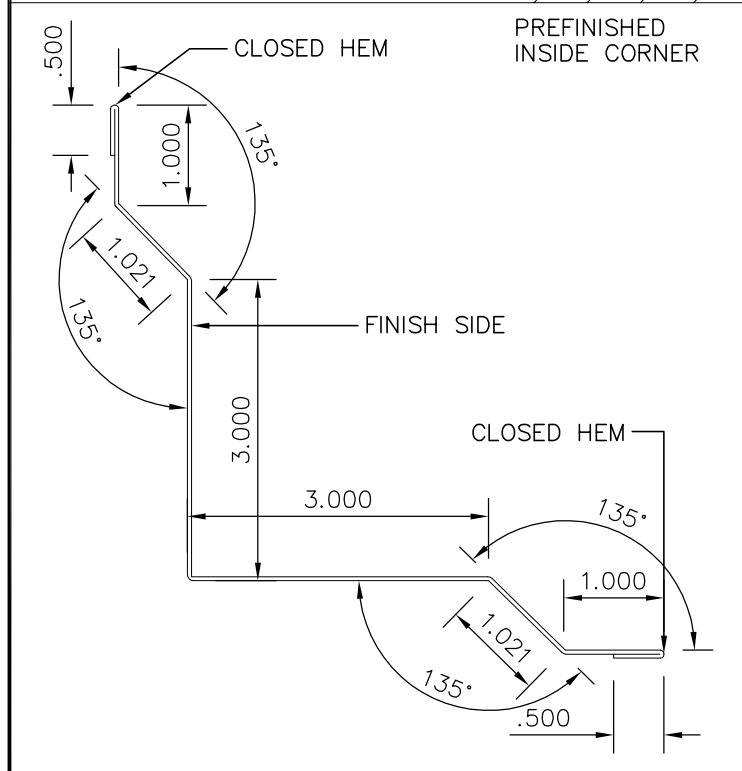
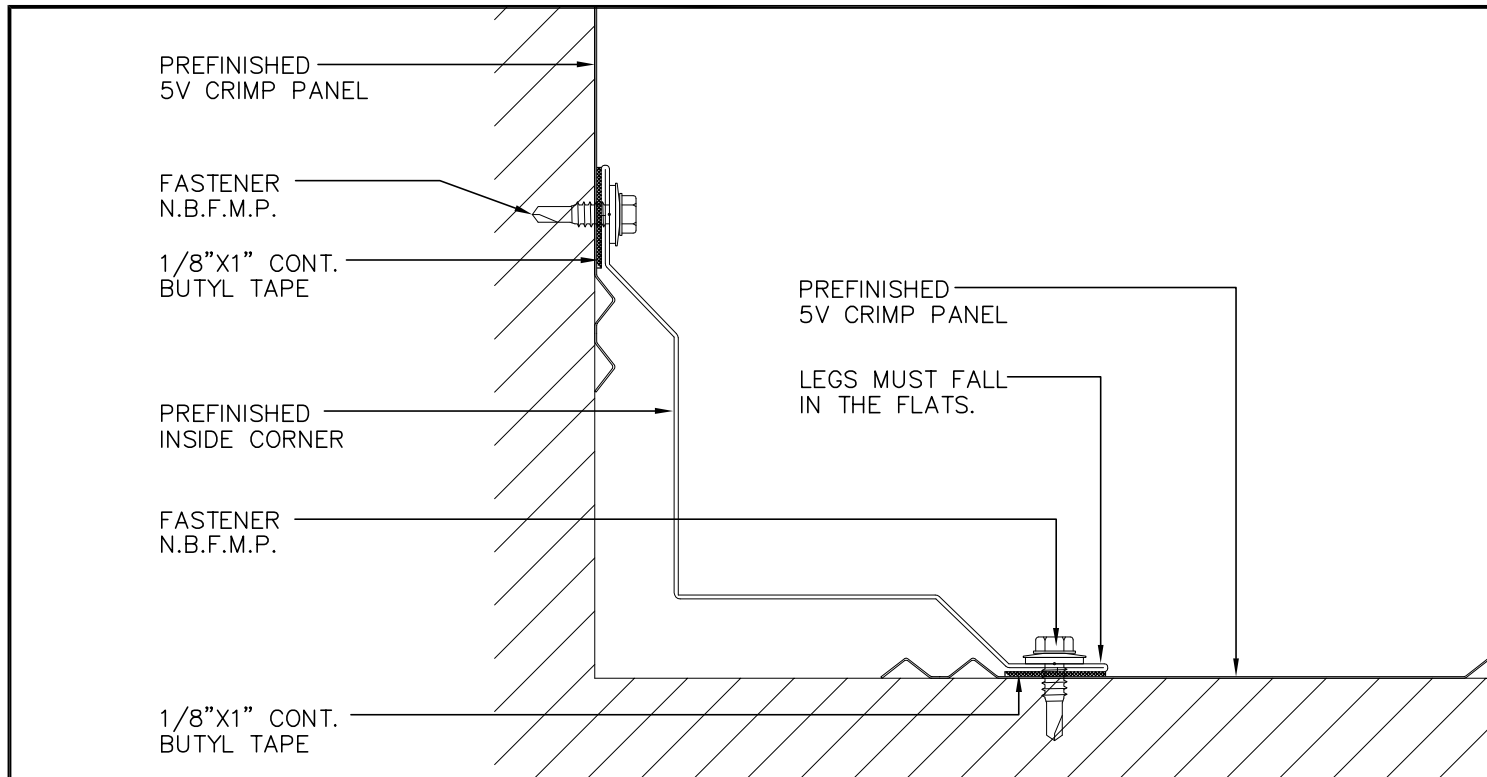
5V CRIMP EAVE DETAIL @ NB WALL PANEL

5V-02



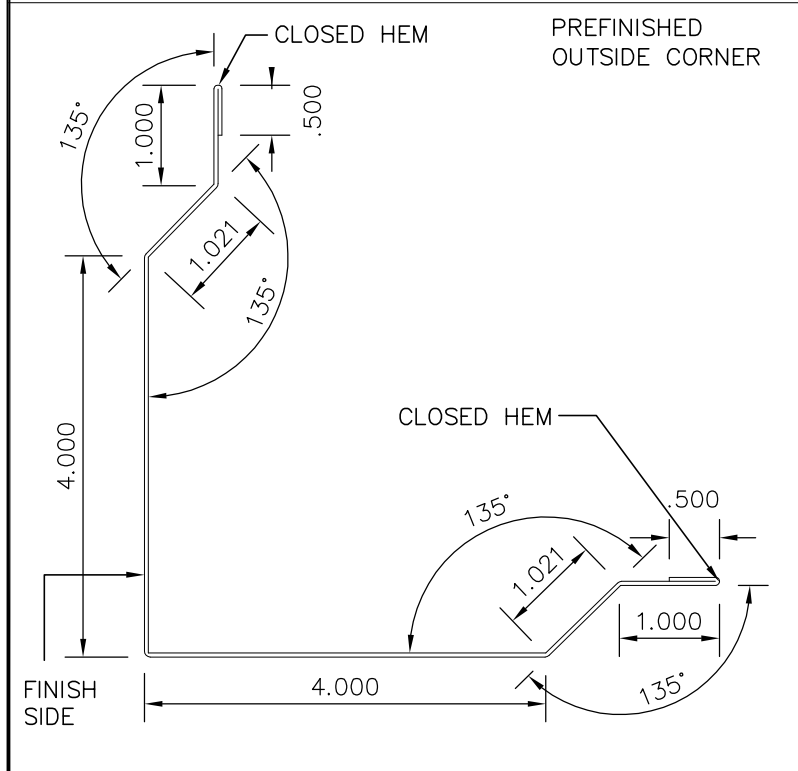
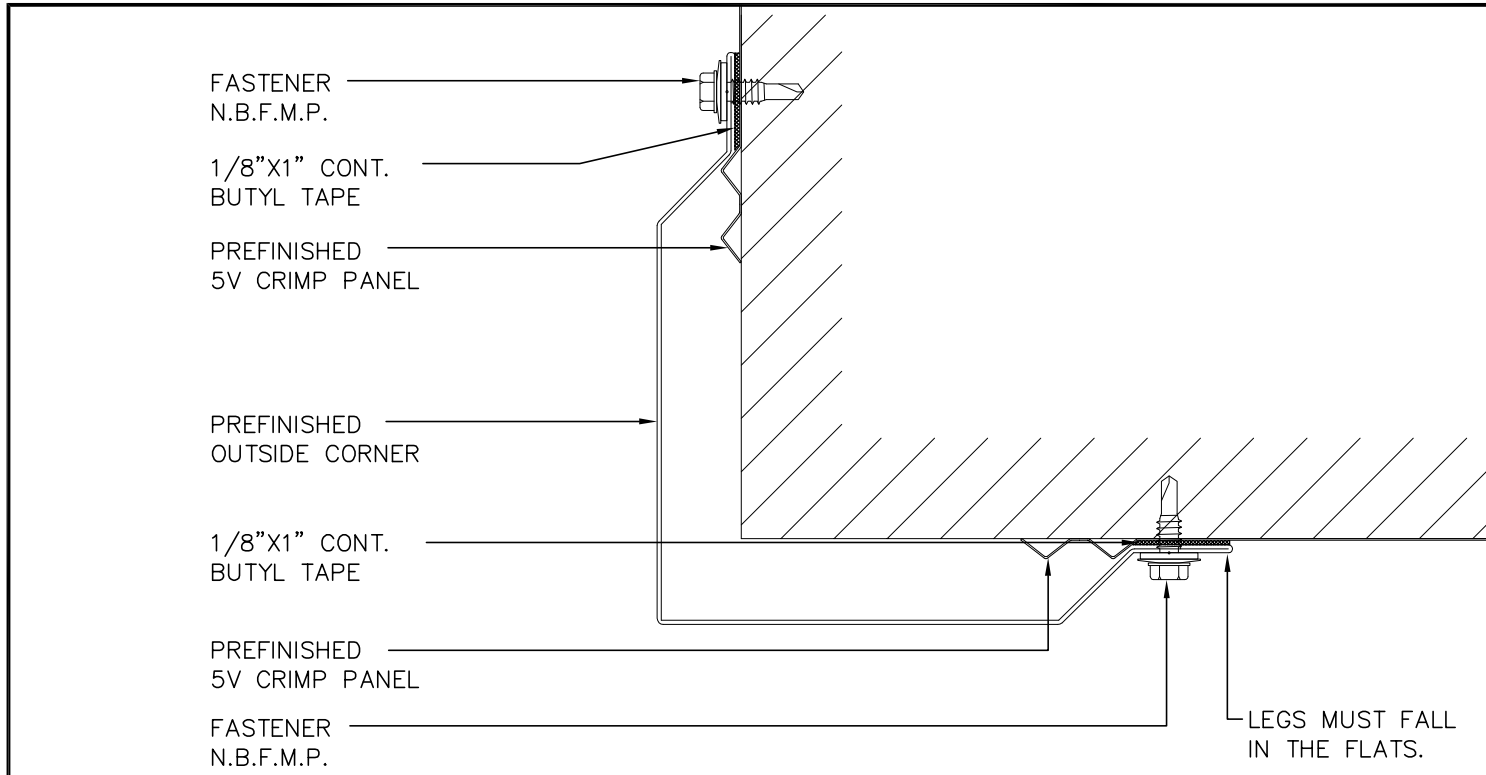
5V CRIMP INSIDE CORNER DETAIL

5V-03



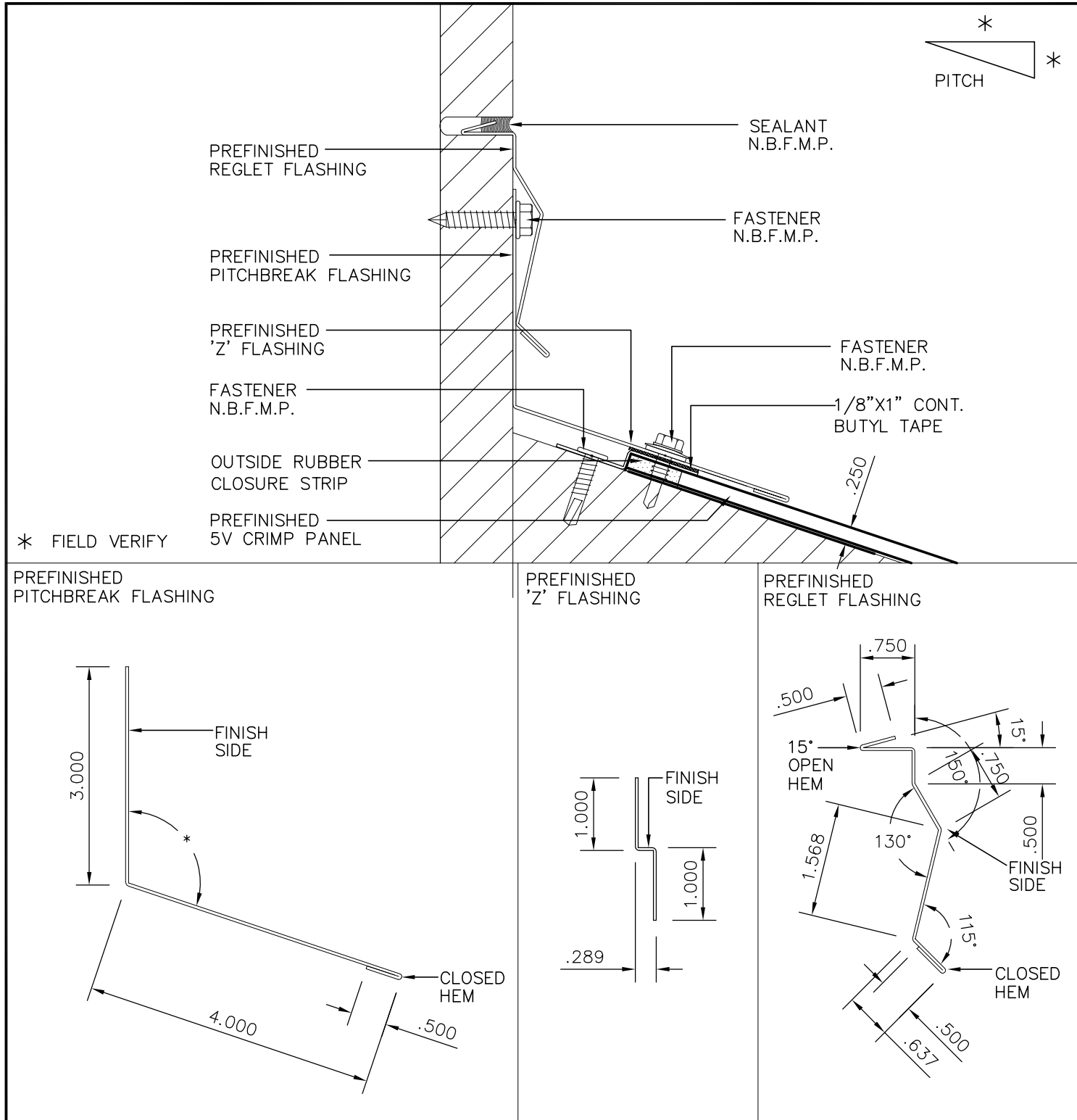
5V CRIMP OUTSIDE CORNER DETAIL

5V-04



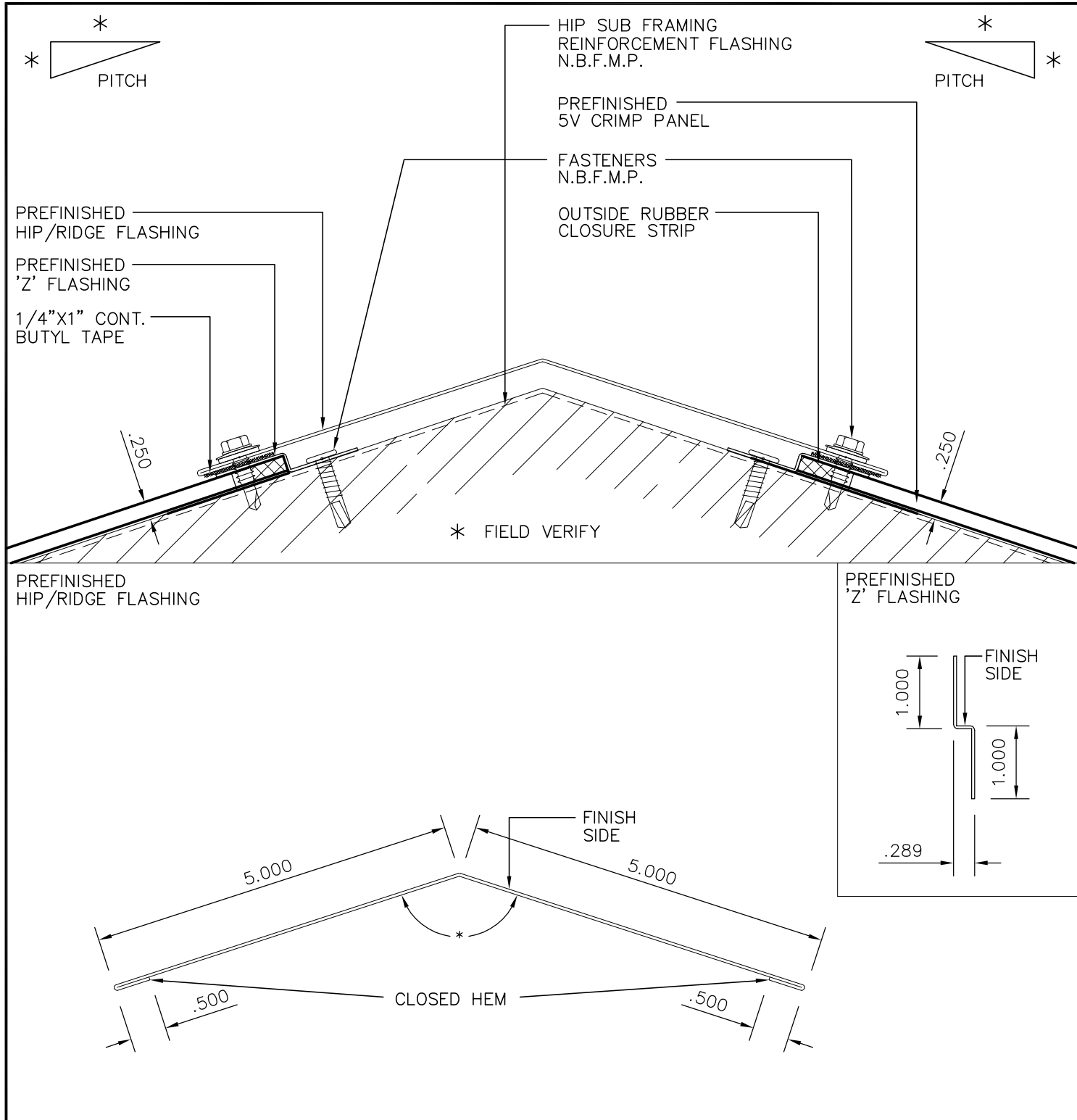
5V CRIMP PITCHBREAK DETAIL @ REGLET FLASHING

5V-05



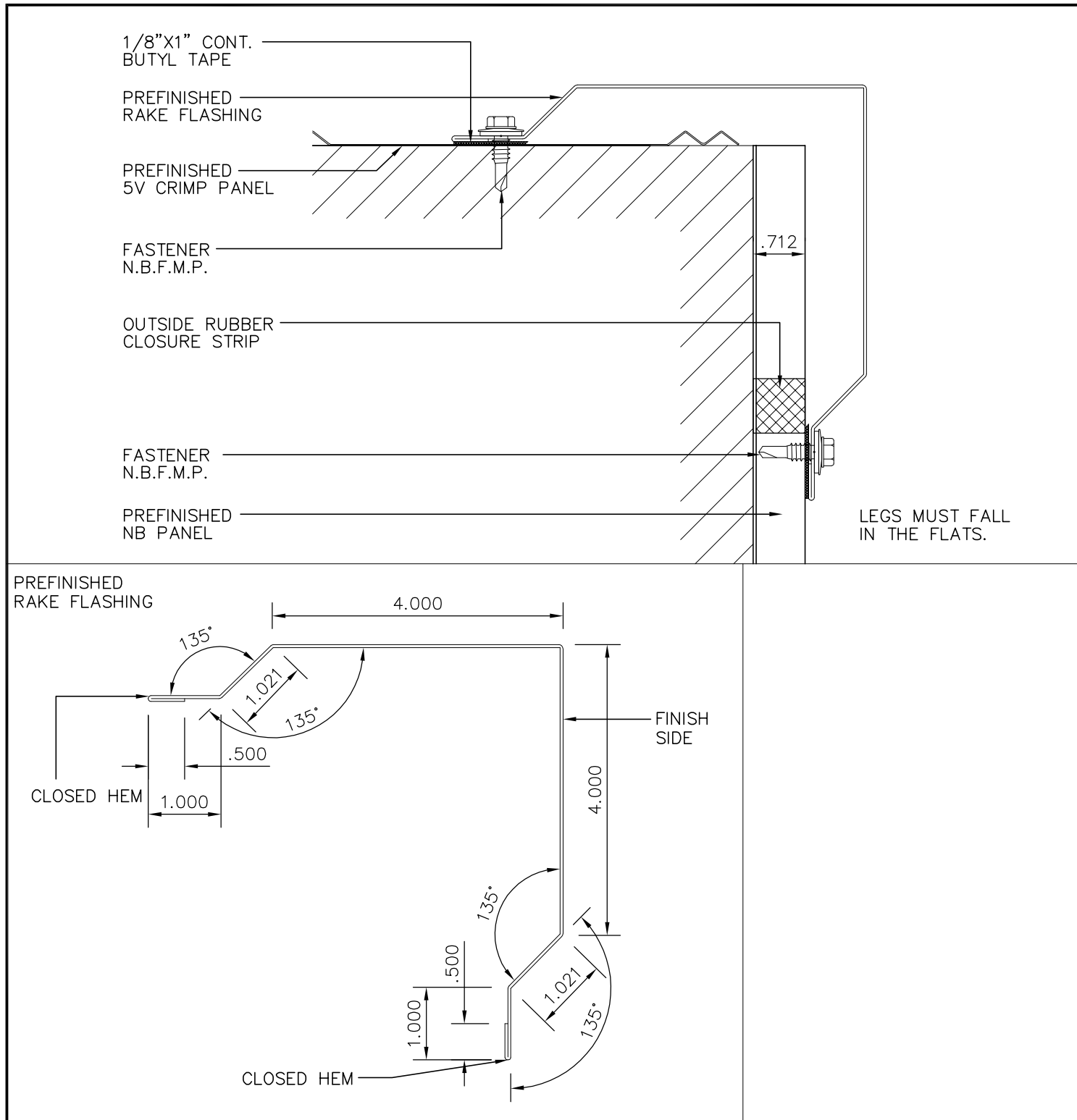
5V CRIMP RIDGE/HIP DETAIL

5V-06



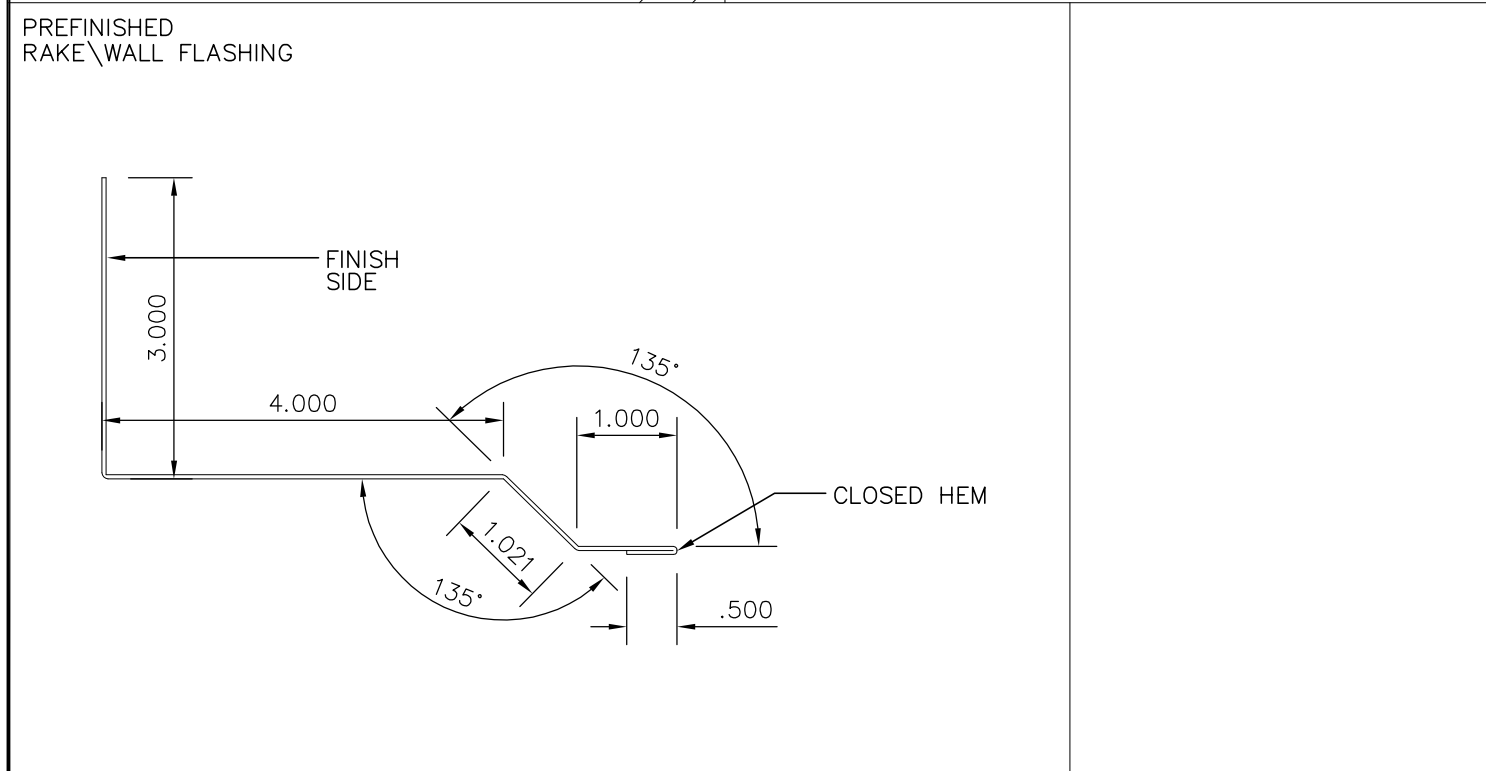
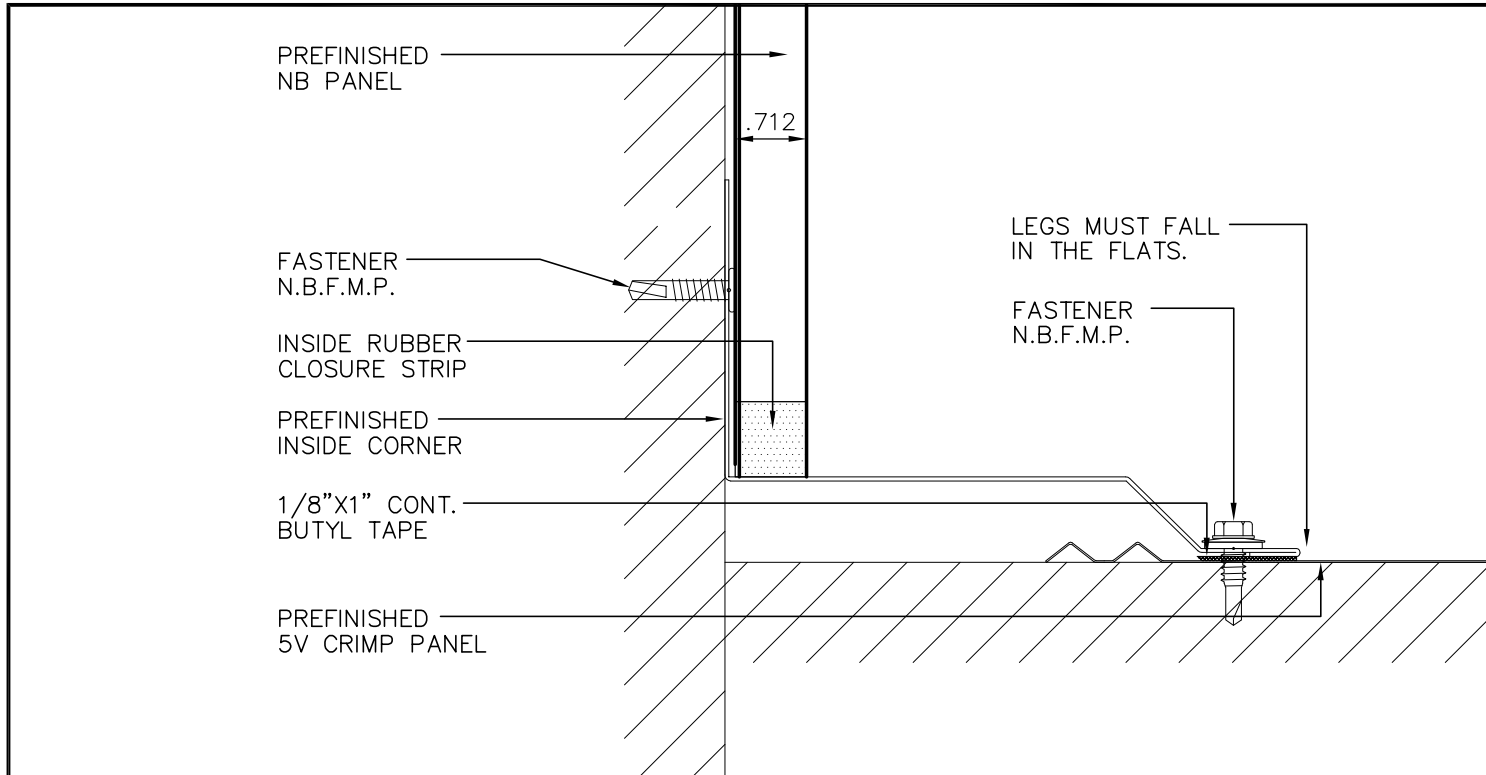
5V CRIMP RAKE/EDGE DETAIL @ NB ENDWALL

5V-07



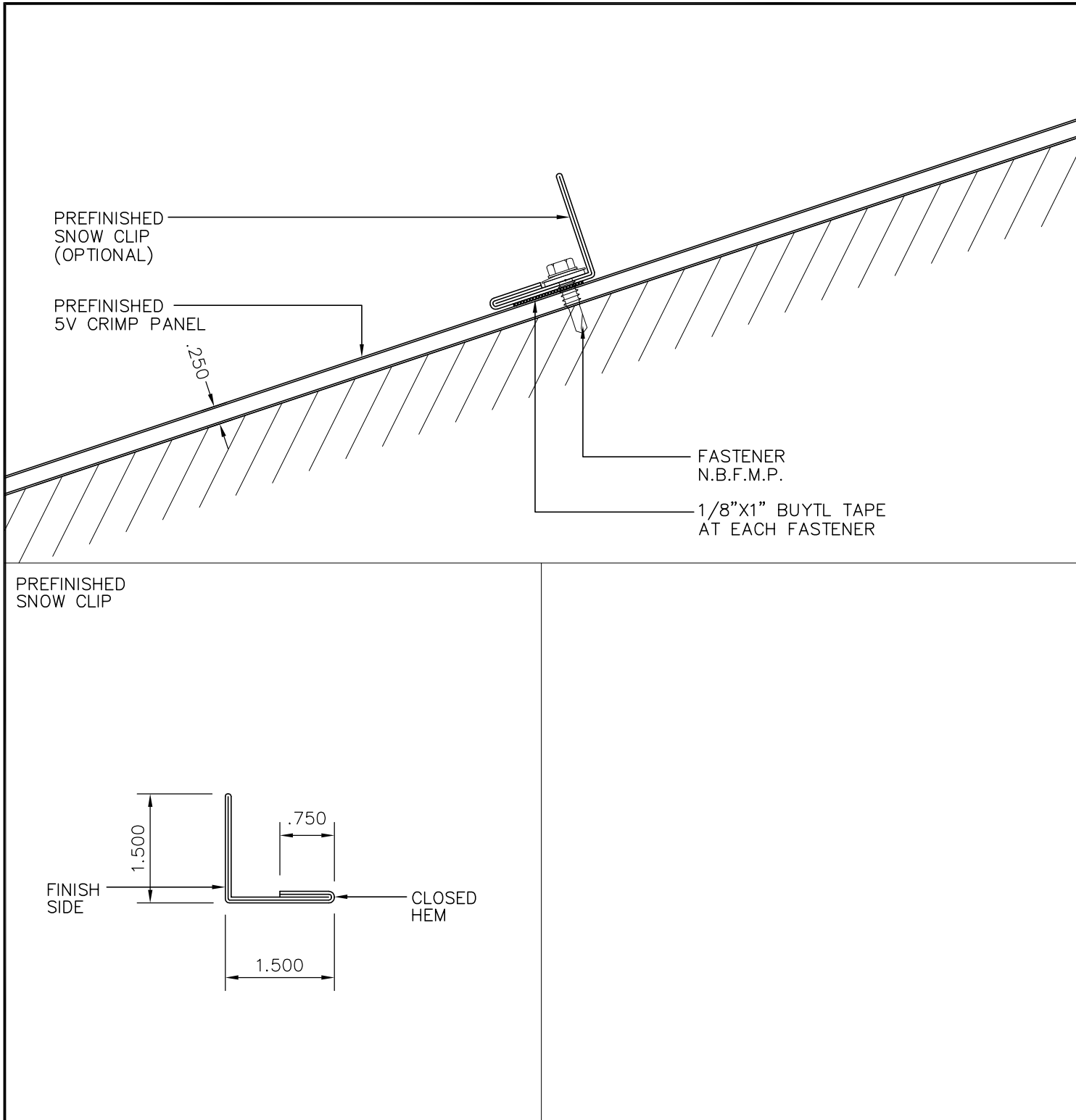
5V CRIMP RAKE/WALL DETAIL @ NB WALL PANEL

5V-08



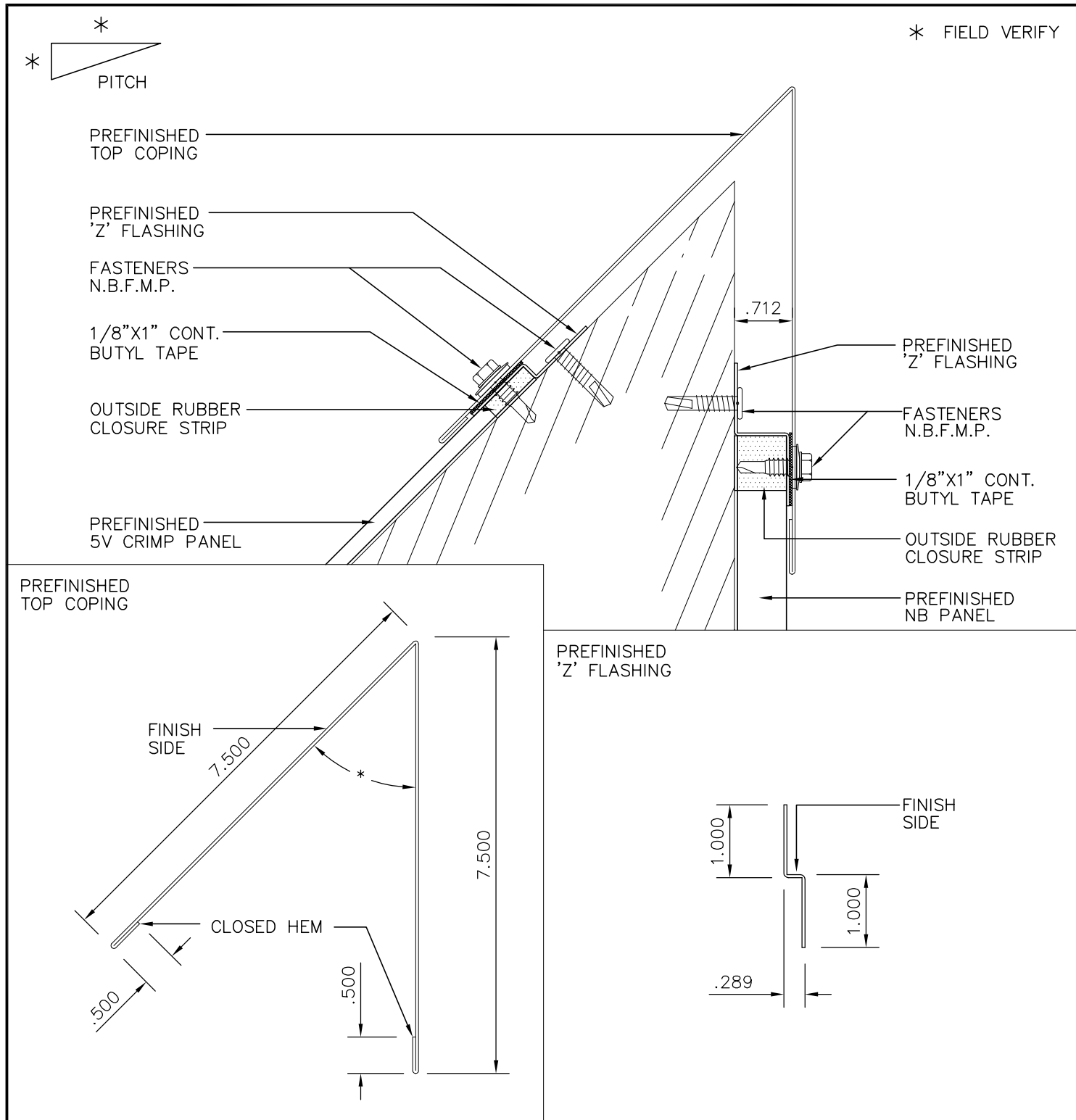
5-V CRIMP SNOW CLIP DETAIL

5V-09



5-V CRIMP TOP COPING DETAIL @ NB WALL

5V-10



5V CRIMP TRANSVERSE SEAM DETAIL

5V-11

EXPLODED VIEW

PREFINISHED
5V CRIMP PANEL

1/4"X2 1/2" CONT.
TRIPLE BEAD
BUTYL TAPE

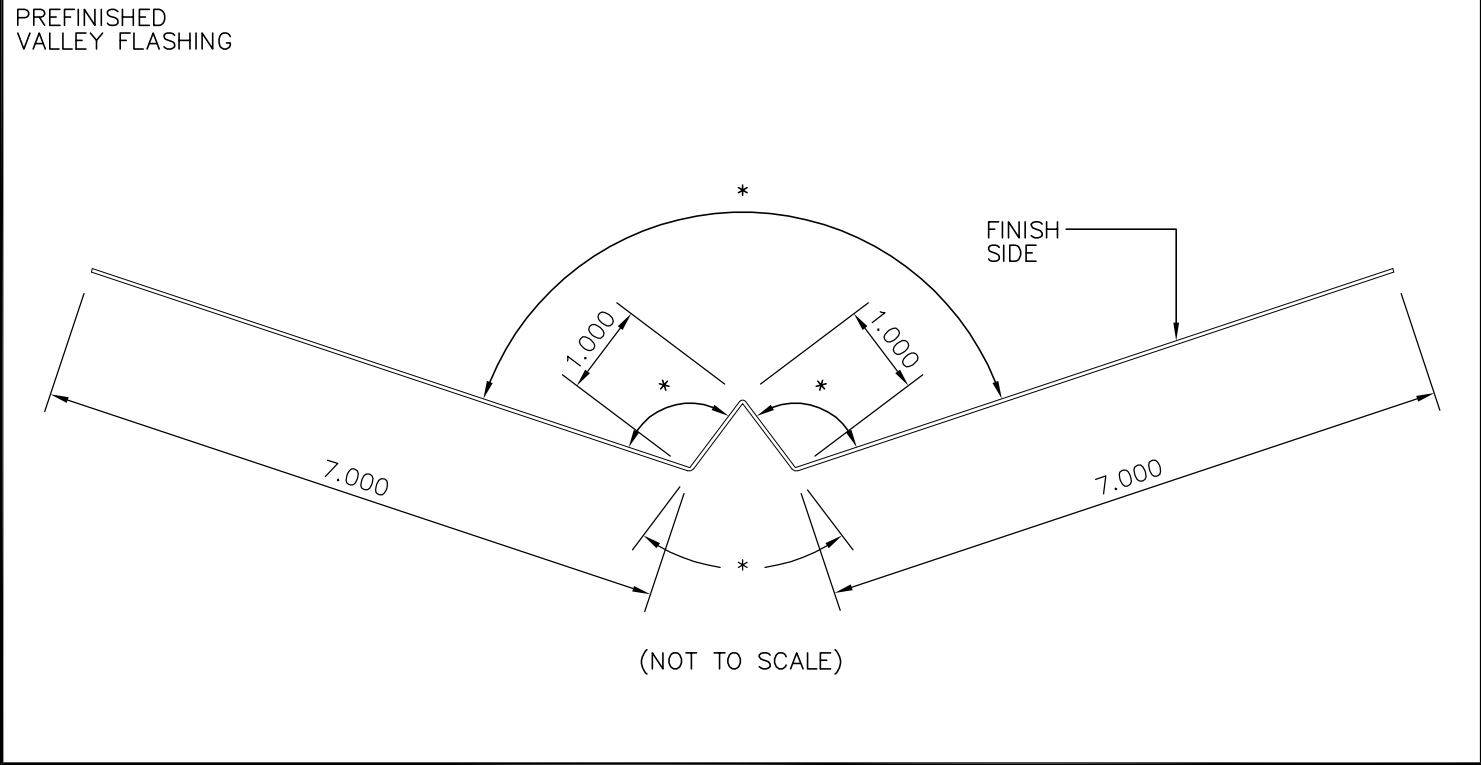
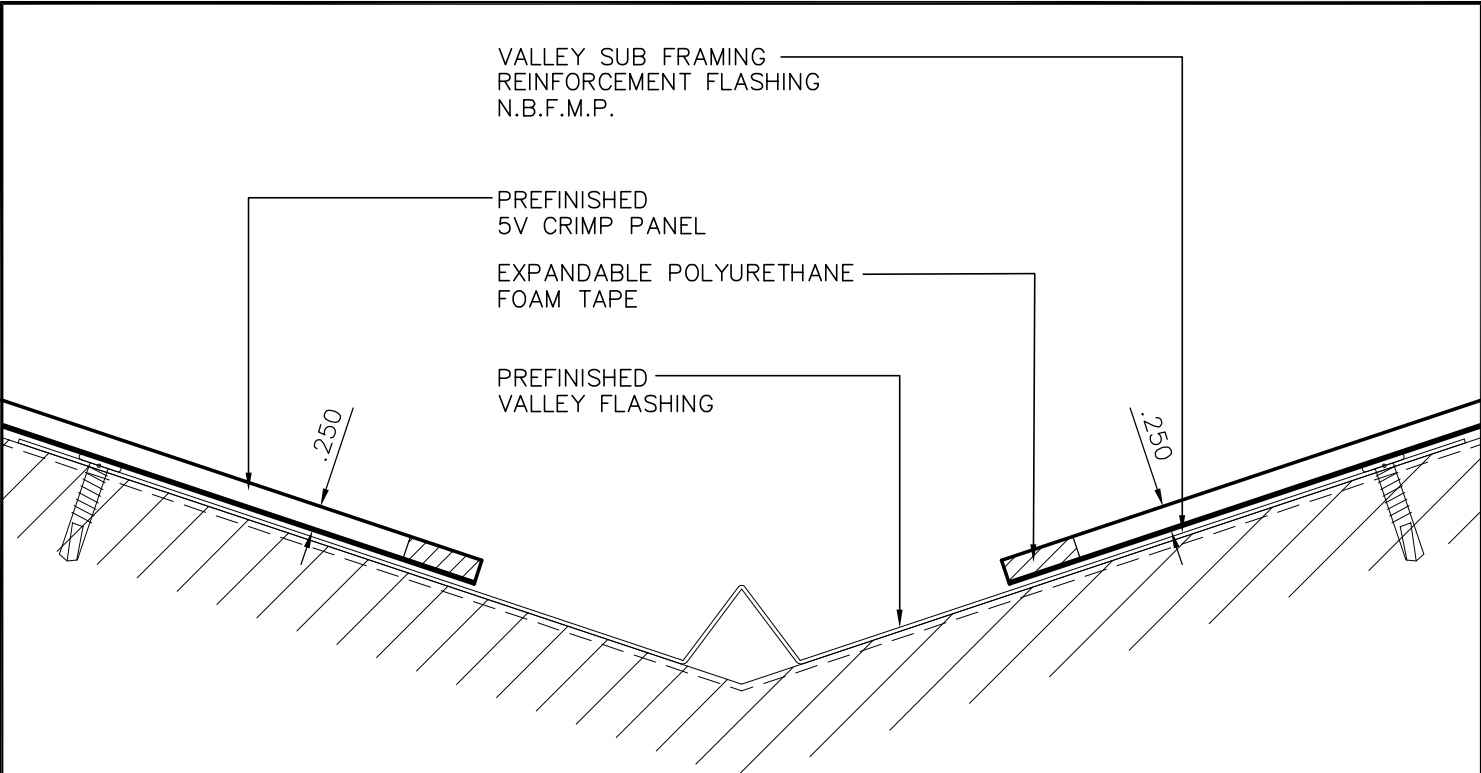
FINISHED VIEW

PREFINISHED
UR PANEL

1/4"X2 1/2" CONT.
TRIPLE BEAD
BUTYL TAPE

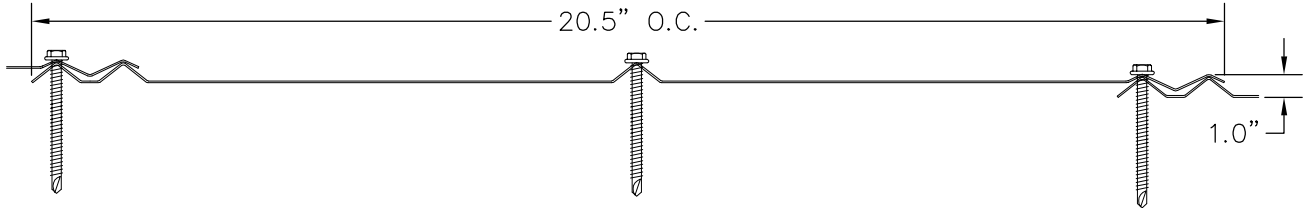


5V CRIMP VALLEY FLASHING DETAIL **5V-12**



5V CRIMP

5V-INFO



MATERIAL OPTIONS

COIL-COATED STEEL
 COIL-COATED ALUMINUM
 ARCHITECTURAL GRADE SHEET COPPER
 ANODIZED ALUMINUM
 MILL FINISH ALUMINUM

FABRICATION OPTIONS

STEEL	26 – 22 GAUGE
ALUMINUM	.032"
COPPER	16 & 20 OZ.
MINIMUM LENGTH	36"
MAXIMUM LENGTH	600"
BEST O.C. DIMS	20.5"

FINISH OPTIONS

PAINTING
 HYLAR 5000/KYNAR 500.

ANODIZING
 CLEARS, BRONZES, AND VARIOUS OTHER COLORS
 CAN BE COIL ANODIZED FOR COLOR CONSISTENCY.


MECHANICAL FINISHES
 PROVIDES A SURFACE TEXTURE BY MECHANICAL
 MEANS ALONE. (AVAILABLE IN STUCCO EMBOSSED.)

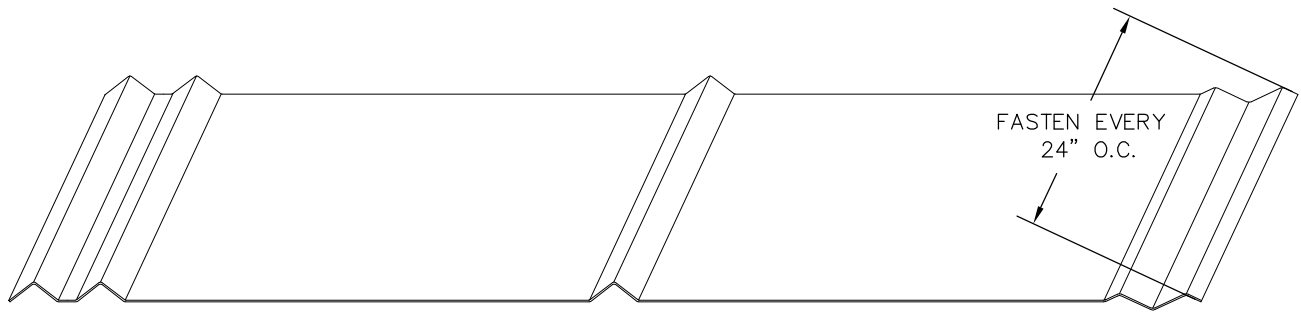
CUSTOM COLORS
 WE CAN PROVIDE FULL CUSTOM COLOR SERVICES
 TO MATCH PRACTICALLY ANY MATERIAL, SHADE,
 OR TINT YOU REQUEST.

TECHNICAL DATA

UL-90 RATED (STEEL & ALUMINUM)
 ASTM E330-90 STRUCTURAL PERFORMANCE
 TESTING
 ASTM E283 AIR INFILTRATION TEST
 ASTM E331 WATER PENETRATION TEST

5-V CRIMP FASTENERS

	NUMBER & LENGTH	HEAD TYPE	POINT TYPE	PIECES PER BAG
				



NOTES:

1. HEAVIER GAUGES, NARROWER WIDTHS, AND EMBOSHING MINIMIZE "OIL CANNING."
2. OIL CANNING IS NOT A CAUSE FOR REJECTION.
3. AN EXTENSIVE SELECTION OF ASSOCIATED PANEL FLASHINGS AND TRIMS ARE AVAILABLE.
4. CONTACT COPPER SALE, INC. FOR UP-TO-DATE TECHNICAL INFORMATION AND MATERIAL LIMITATIONS.
5. ALL SYSTEMS WITH TESTING MUST BE INSTALLED IN ACCORDANCE WITH THE ASSEMBLY AS TESTED.