

## **FL-W** Flat-Lock Wall Panel

### **DESCRIPTION**

The panel system is mechanically attached with concealed fasteners and clips; installed in a sequential pattern. All systems are to be accurately brake-formed to specified dimensions and tolerances.

### **FEATURES**

- very lightweight
- sequential installation
- can be installed on radiused substrate
- can be installed on wall applications (FL-W)
- custom modules available

### **MATERIAL OPTIONS**

- coil-coated steel (20-year warranty) extra smooth galvanized
- coil-coated aluminum (20-year warranty)
- coil-anodized aluminum (20-year warranty)
- post-painted aluminum (short run, custom colors)
- stainless steel skins
- copper in various gauges and finishes
- RHEINZINK® in various gauges and finishes

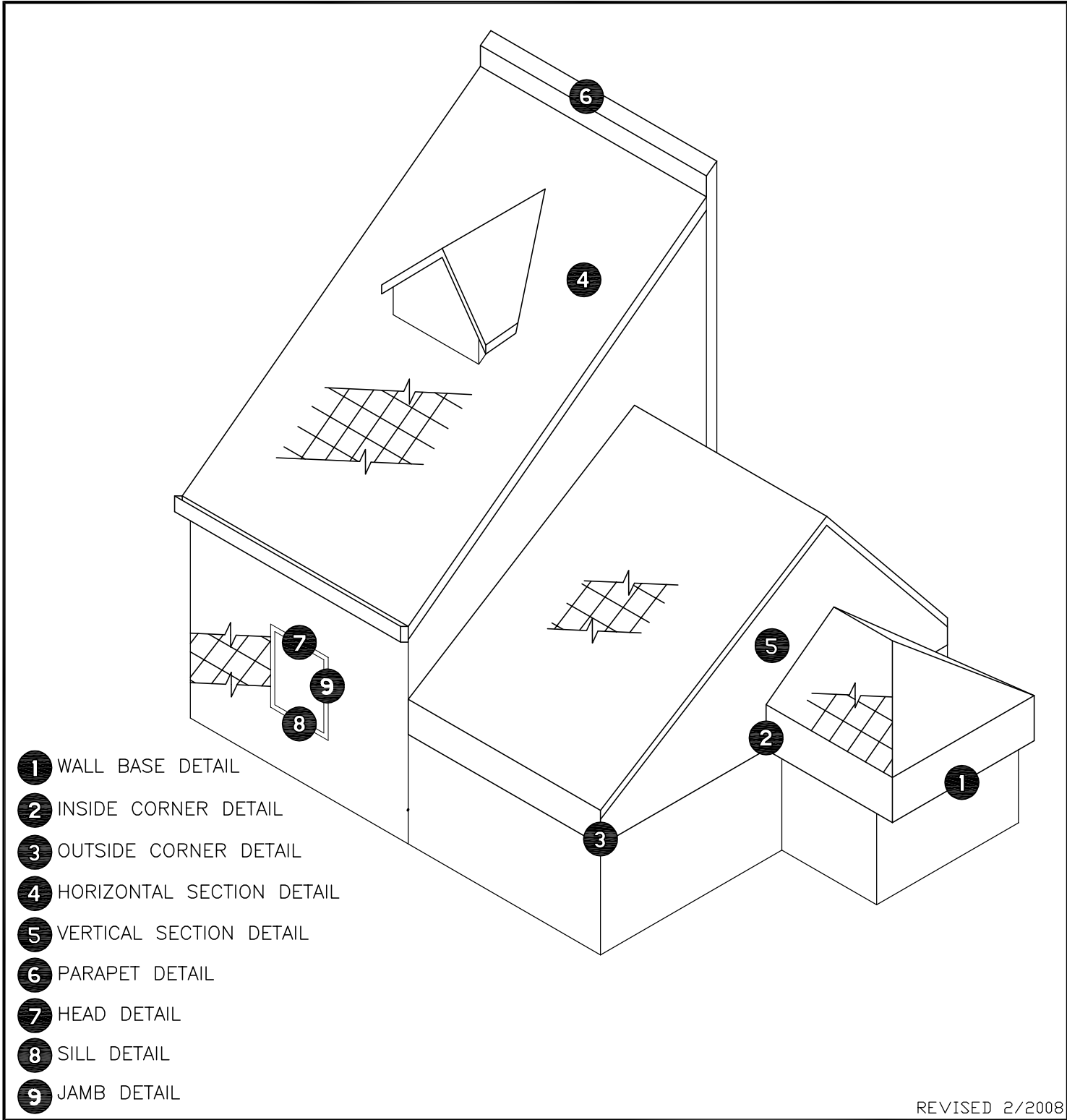
### **FINISH OPTIONS**

- Kynar 500®/Hylar 5000® coil-coated 2-, 3-, and 4-coat paint systems
- Kynar 500®/Hylar 5000® spray-coated 2-, 3-, and 4-coat paint systems
- batch anodized
- stainless steel with #4 brushed-satin finish
- fluoropolymer high gloss finish
- special coatings

### **LIMITATIONS**

- cannot be tapered
- length restrictions apply
- oil canning is not a cause for rejection

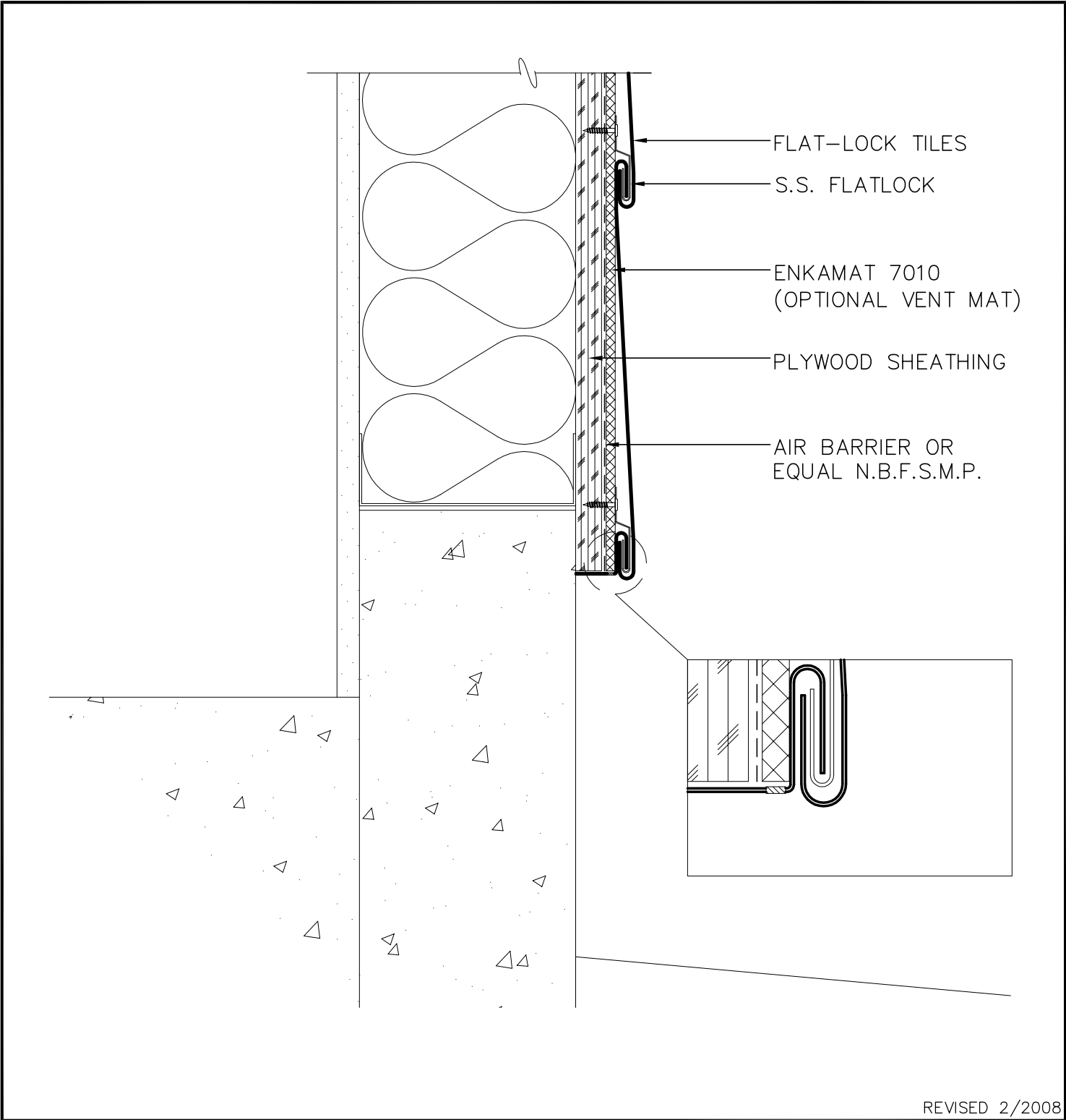
**FL-W FLAT LOCK WALL PANEL INDEX FLW-00**



- 1** WALL BASE DETAIL
- 2** INSIDE CORNER DETAIL
- 3** OUTSIDE CORNER DETAIL
- 4** HORIZONTAL SECTION DETAIL
- 5** VERTICAL SECTION DETAIL
- 6** PARAPET DETAIL
- 7** HEAD DETAIL
- 8** SILL DETAIL
- 9** JAMB DETAIL

REVISED 2/2008

**FLAT LOCK WALL - BASE DETAIL** **FLW-01**

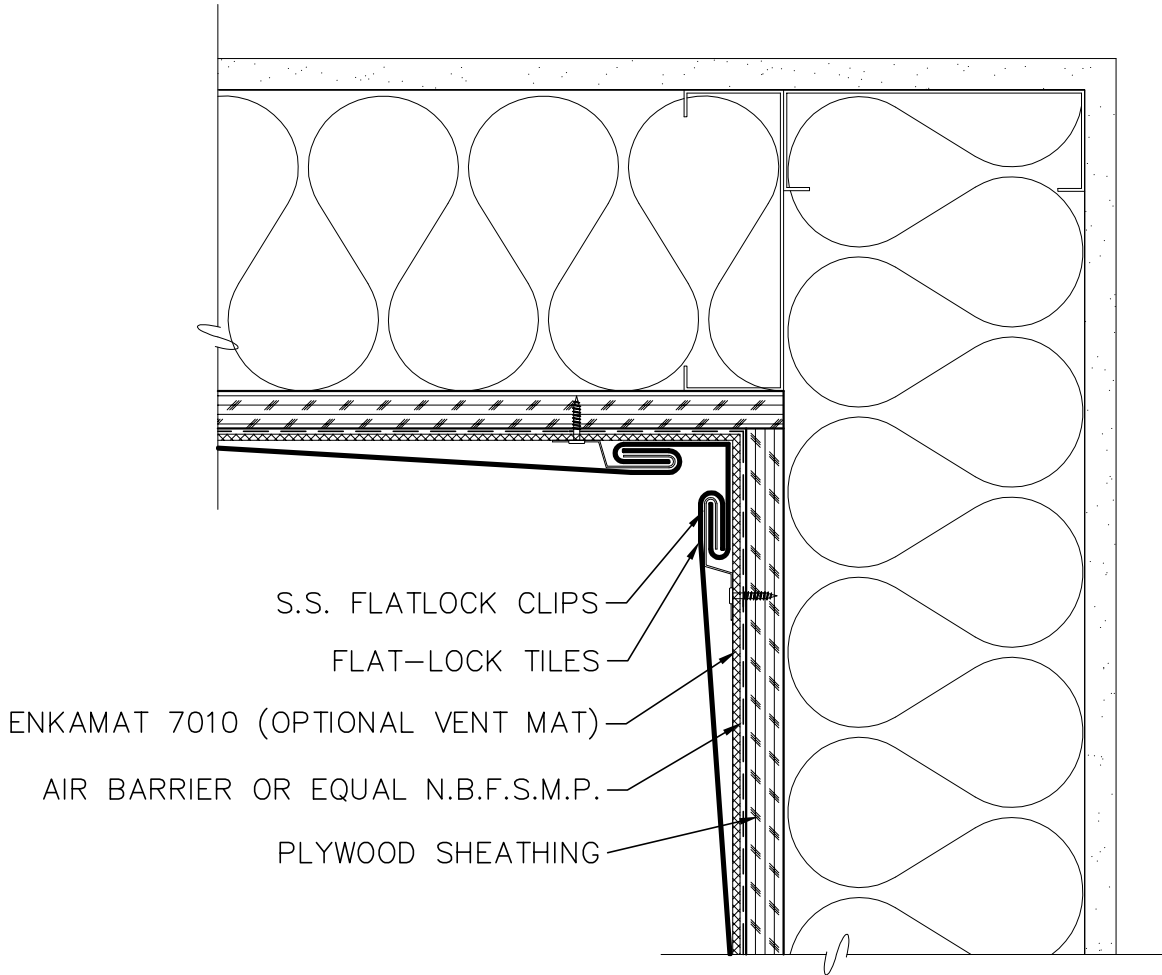


REVISED 2/2008



### FLAT LOCK WALL - INSIDE CORNER DETAIL

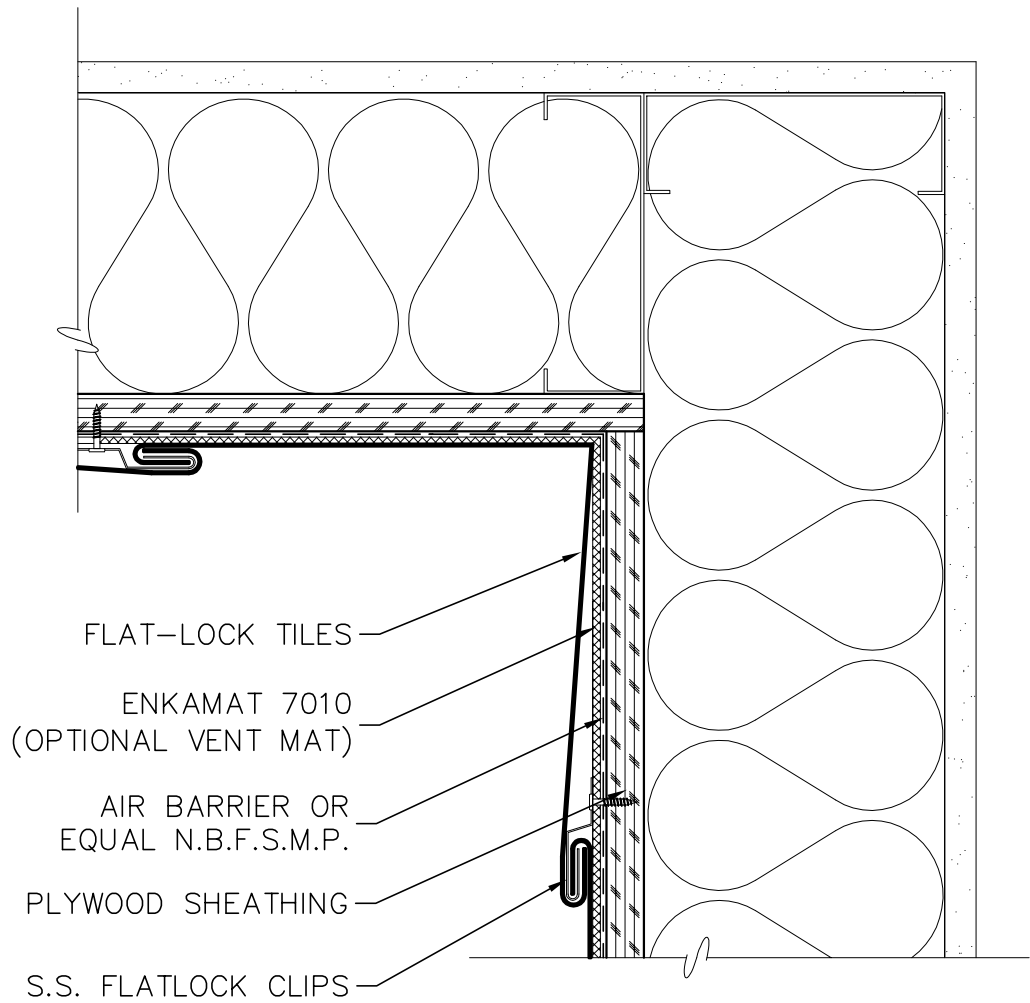
FLW-02



\*ALTERNATIVE DRAWINGS AVAILABE AT WWW.UNACLAD.COM

REVISED 2/2008

**FLAT LOCK WALL - INSIDE CORNER DETAIL** **FLW-02A**



\*ALTERNATIVE DRAWINGS AVAILABE AT [WWW.UNACLAD.COM](http://WWW.UNACLAD.COM)

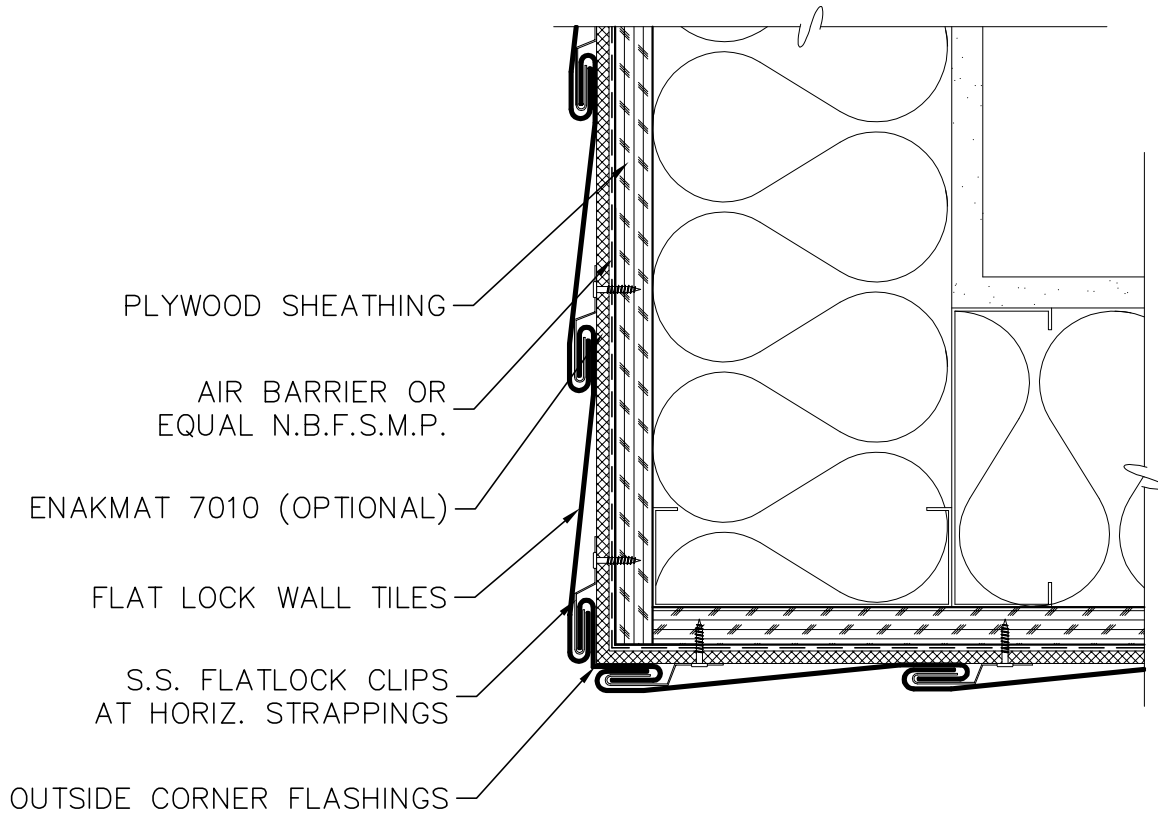
REVISED 2/2008

**2**

**OPTION "A"**

### FLAT LOCK WALL - OUTSIDE CORNER

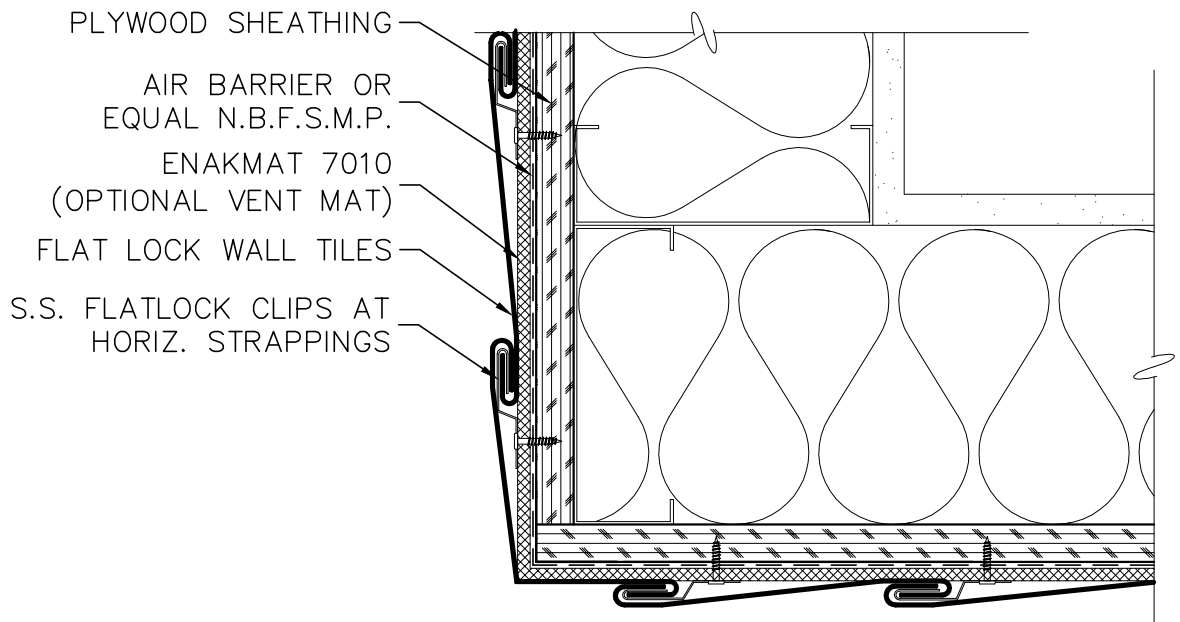
FLW-03



\*ALTERNATIVE DRAWINGS AVAILABE AT WWW.UNACLAD.COM

REVISED 2/2008

**FLAT LOCK WALL - OUTSIDE CORNER FLW-03A**

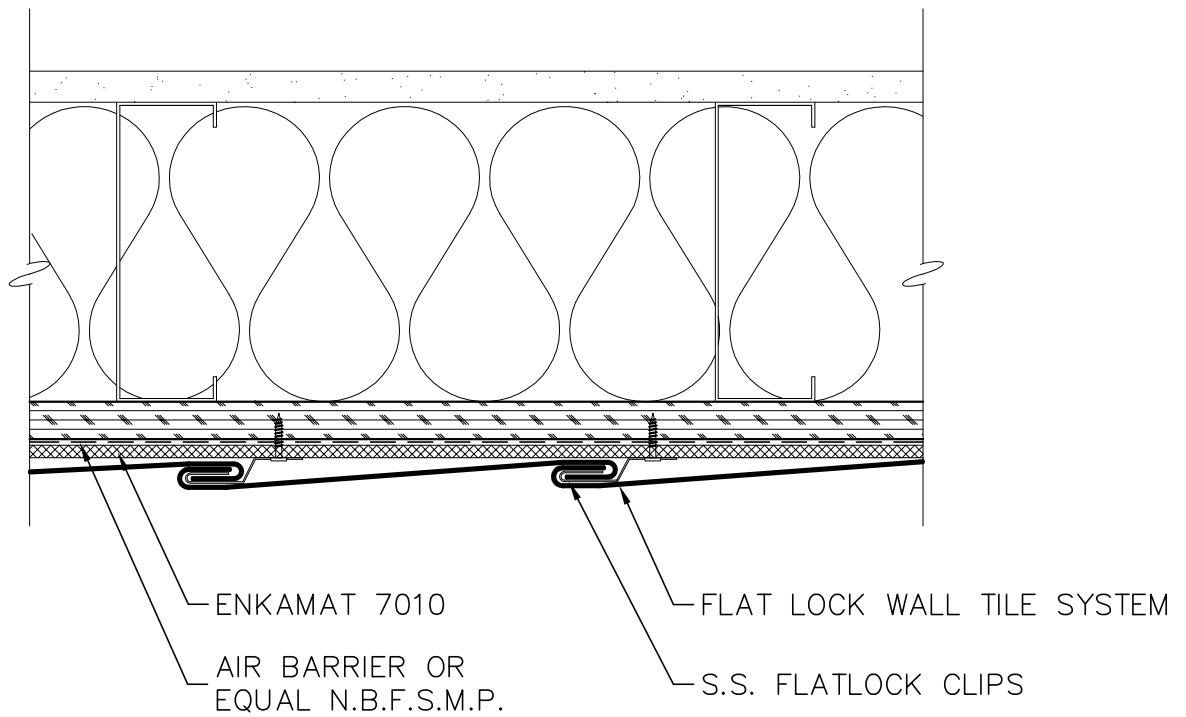


REVISED 2/2008

**3**

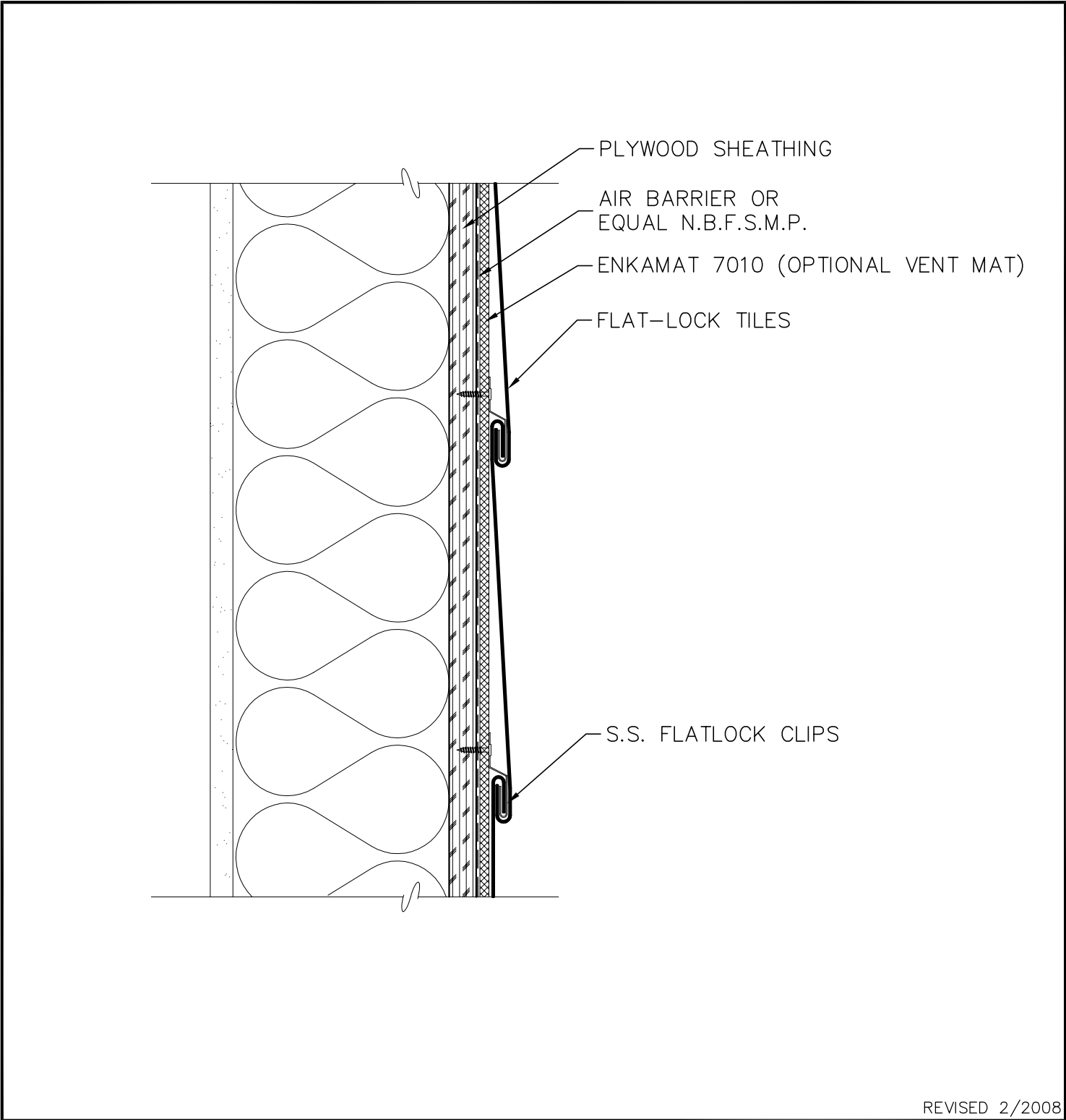
**OPTION "A"**

**FLAT LOCK WALL - HORZ. SECTION DETAIL** **FLW-04**



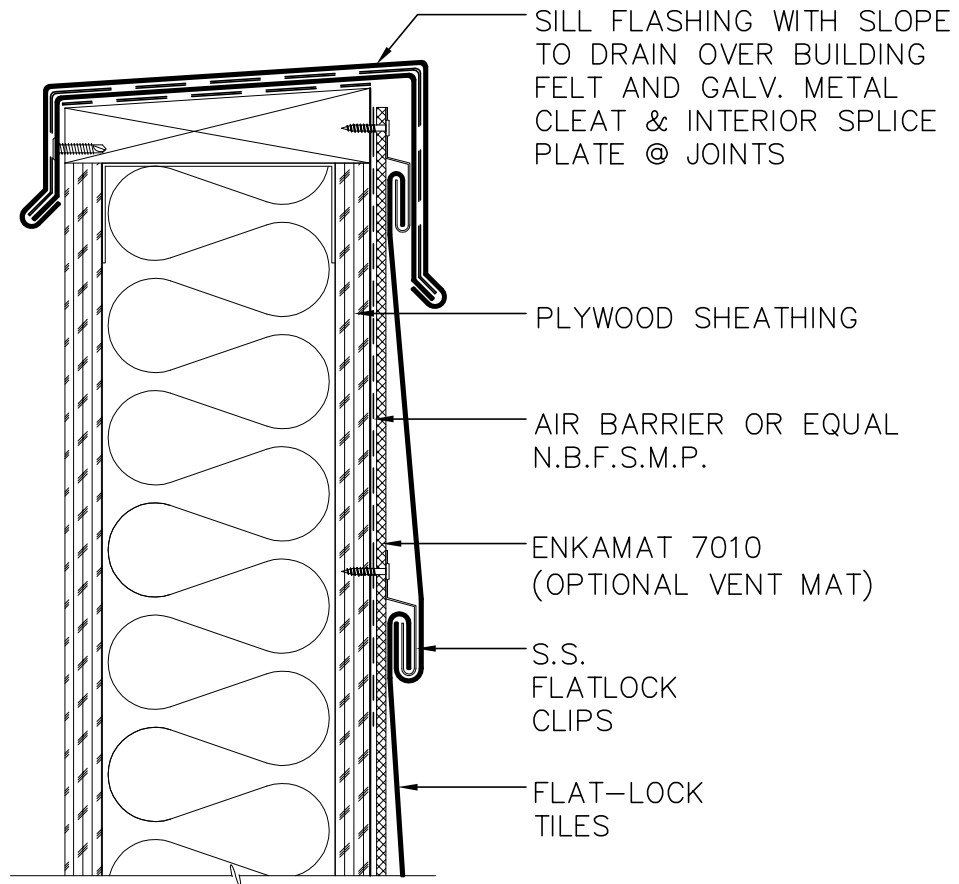
REVISED 2/2008

**FLAT LOCK WALL VERT. - SECTION DETAIL** **FLW-05**



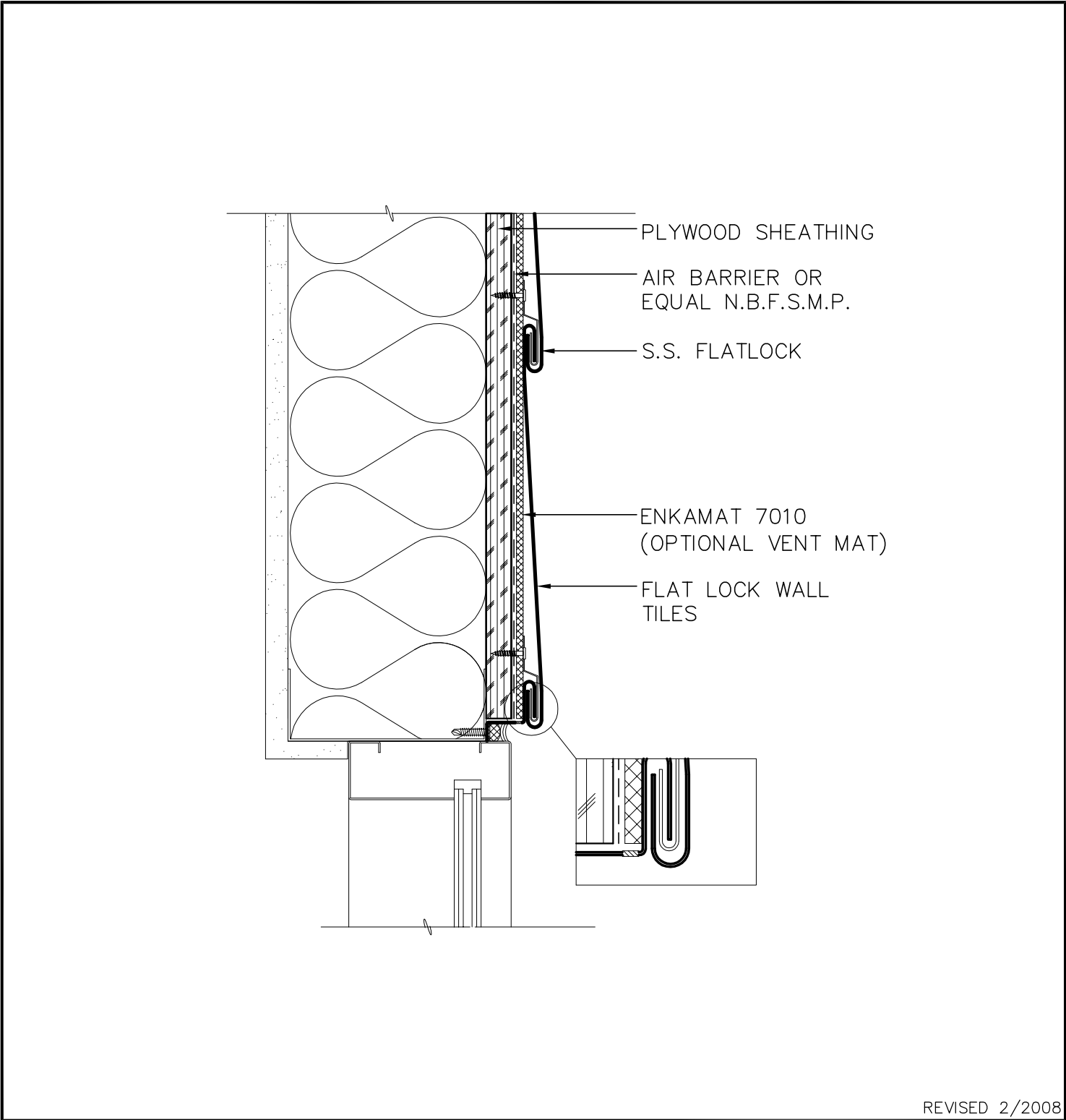
REVISED 2/2008

**FLAT LOCK WALL - PARAPET DETAIL** **FLW-06**



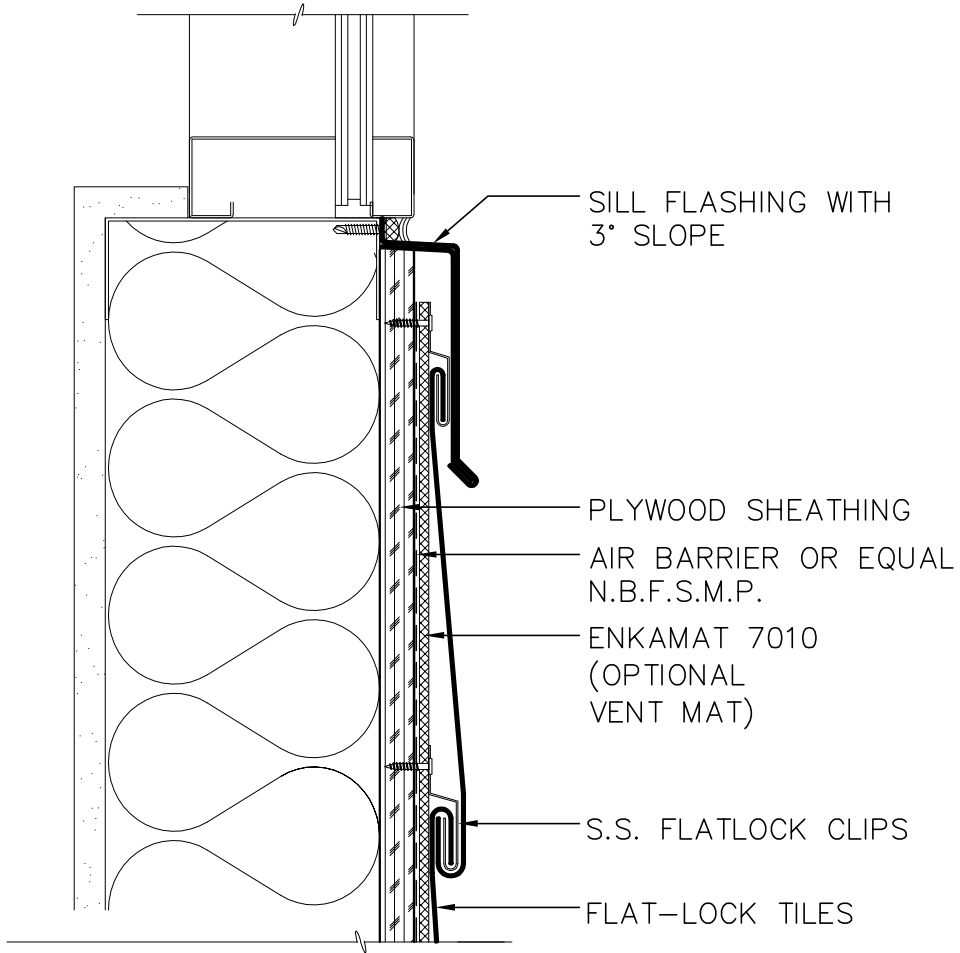
REVISED 2/2008

**FLAT LOCK WALL - HEAD DETAIL** **FLW-07**



REVISED 2/2008

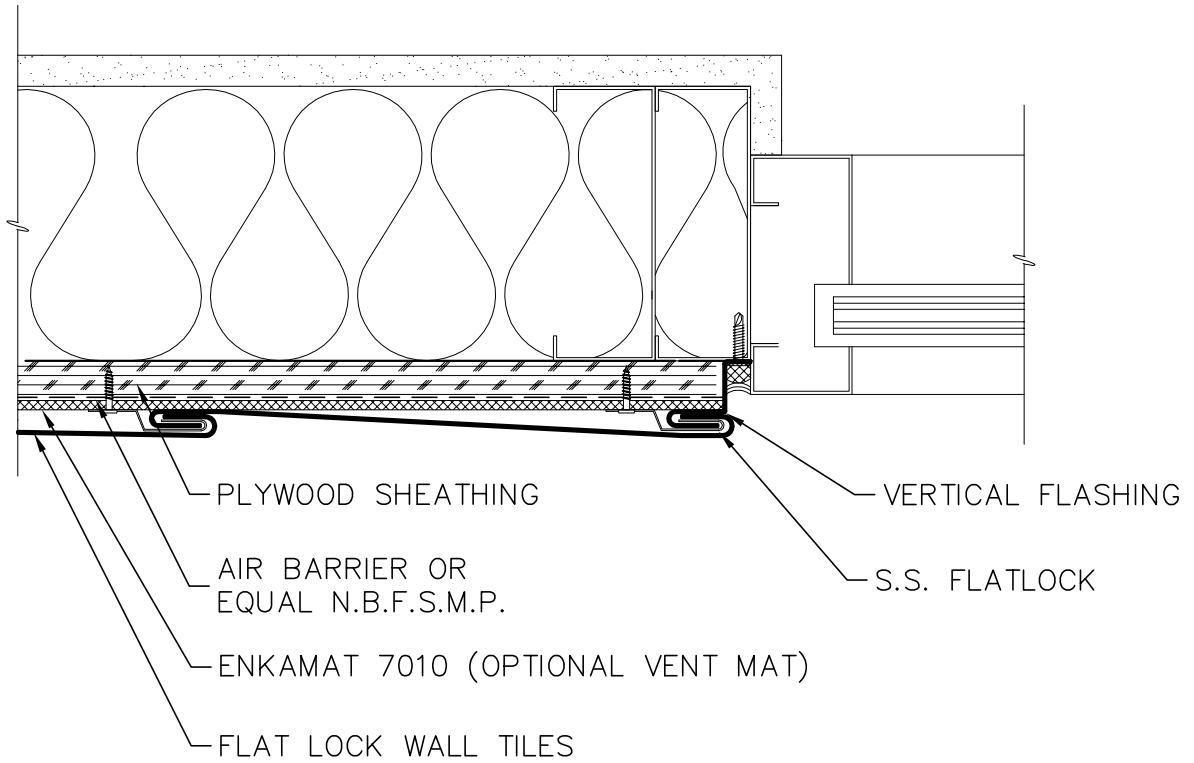
**FLAT LOCK WALL - SILL DETAIL** **FLW-08**



REVISED 2/2008

### FLAT LOCK WALL - JAMB DETAIL

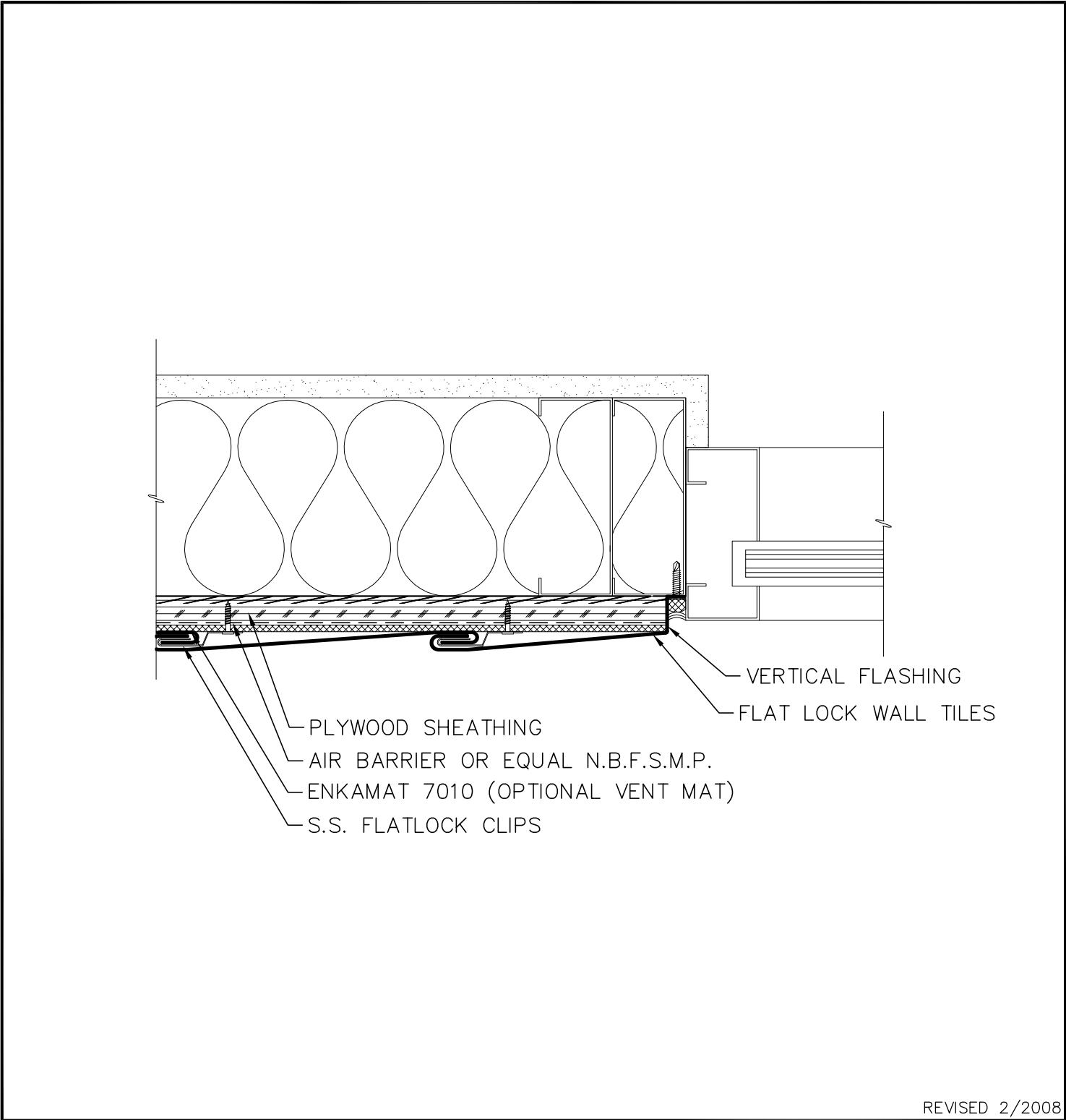
FLW-09



\*ALTERNATIVE DRAWINGS AVAILABLE AT [WWW.UNACLAD.COM](http://WWW.UNACLAD.COM)

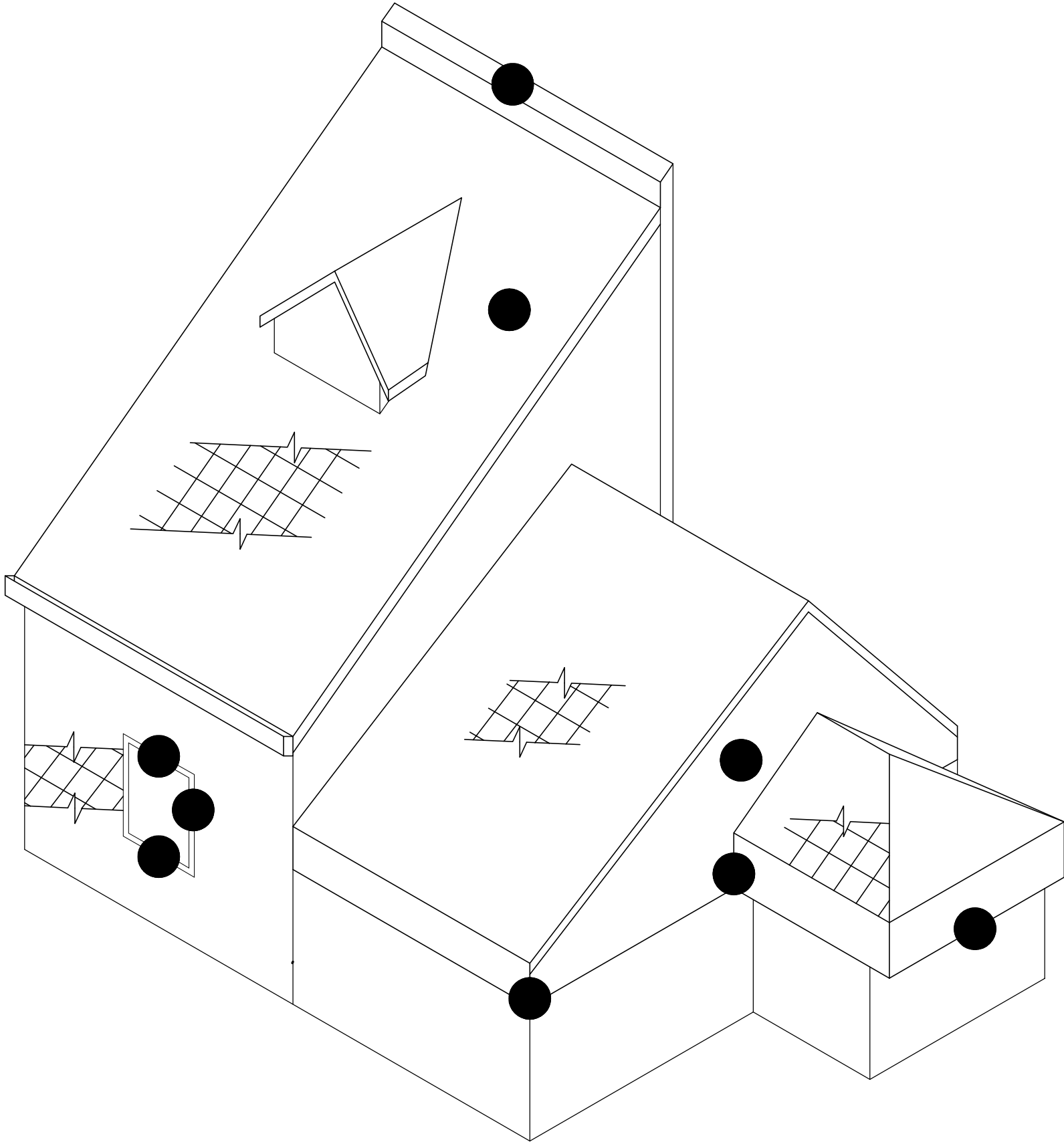
REVISED 2/2008

**FLAT LOCK WALL - JAMB DETAIL** **FLW-09A**

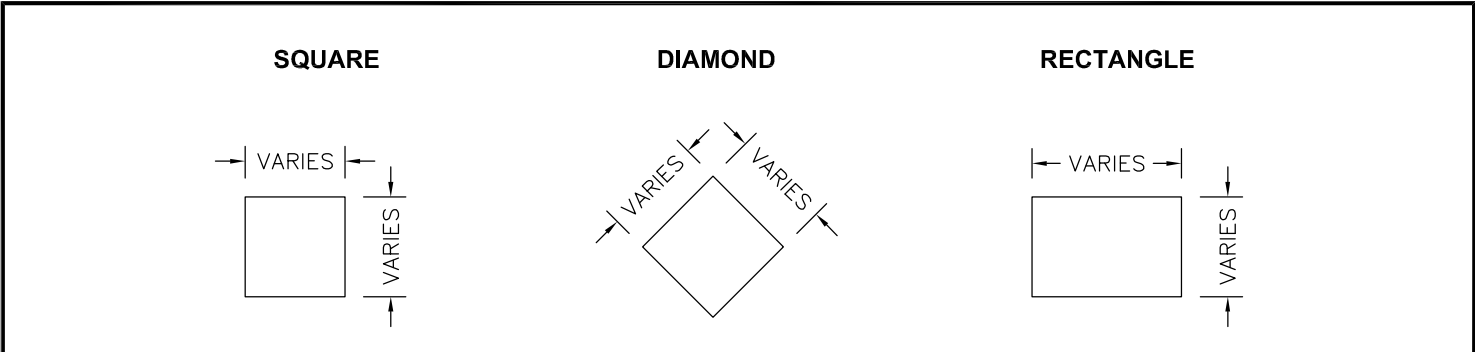


REVISED 2/2008

**9** **OPTION "A"**



**FL-W FLAT LOCK WALL PANEL FLW-INFO**



<p><b>MATERIAL OPTIONS</b></p>	<p><b>FINISH OPTIONS</b></p>													
<p>COIL-COATED STEEL COIL-COATED ALUMINUM ARCHITECTURAL GRADE SHEET COPPER ANODIZED ALUMINUM MILL FINISH ALUMINUM RHEINZINK</p>	<p>PAINTING HYLAR 5000/KYNAR 500.</p> <p>ANODIZING CLEARS, BRONZES, AND VARIOUS OTHER COLORS CAN BE COIL ANODIZED FOR COLOR CONSISTENCY.</p> <p>CUSTOM COLORS WE CAN PROVIDE FULL CUSTOM COLOR SERVICES TO MATCH PRACTICALLY ANY MATERIAL, SHADE, OR TINT YOU REQUEST.</p>													
<p><b>FABRICATION OPTIONS</b></p>														
<table border="0"> <tr> <td>RHEINZINK</td> <td>18, 20, 22 &amp; 24 GA.</td> </tr> <tr> <td>STEEL</td> <td>22, 24 &amp; 26 GA.</td> </tr> <tr> <td>ALUMINUM</td> <td>.032", .040", .050", .063"</td> </tr> <tr> <td>COPPER</td> <td>16, 20, 24 &amp; 36 OZ.</td> </tr> <tr> <td>MINIMUM LENGTH</td> <td>VARIES</td> </tr> <tr> <td>MAXIMUM LENGTH</td> <td>VARIES</td> </tr> <tr> <td>BEST O.C. DIMS.</td> <td>CONSULT COPPER SALES</td> </tr> </table>		RHEINZINK	18, 20, 22 & 24 GA.	STEEL	22, 24 & 26 GA.	ALUMINUM	.032", .040", .050", .063"	COPPER	16, 20, 24 & 36 OZ.	MINIMUM LENGTH	VARIES	MAXIMUM LENGTH	VARIES	BEST O.C. DIMS.
RHEINZINK	18, 20, 22 & 24 GA.													
STEEL	22, 24 & 26 GA.													
ALUMINUM	.032", .040", .050", .063"													
COPPER	16, 20, 24 & 36 OZ.													
MINIMUM LENGTH	VARIES													
MAXIMUM LENGTH	VARIES													
BEST O.C. DIMS.	CONSULT COPPER SALES													
<p><b>TECHNICAL DATA</b></p>	<p><b>CLIP PROFILE</b></p>													
<p>* CONTACT FSMP FOR INFORMATION</p>														

- NOTES:**
1. HEAVIER GAUGES, NARROWER WIDTHS, AND EMBOSING MINIMIZE "OIL CANNING."
  2. OIL CANNING IS NOT A CAUSE FOR REJECTION.
  3. AN EXTENSIVE SELECTION OF ASSOCIATED PANEL FLASHINGS AND TRIMS ARE AVAILABLE.
  4. CONTACT COPPER SALE, INC. FOR UP-TO-DATE TECHNICAL INFORMATION AND MATERIAL LIMITATIONS.
  5. ALL SYSTEMS WITH TESTING MUST BE INSTALLED IN ACCORDANCE WITH THE ASSEMBLY AS TESTED.

REVISED 1/2008